

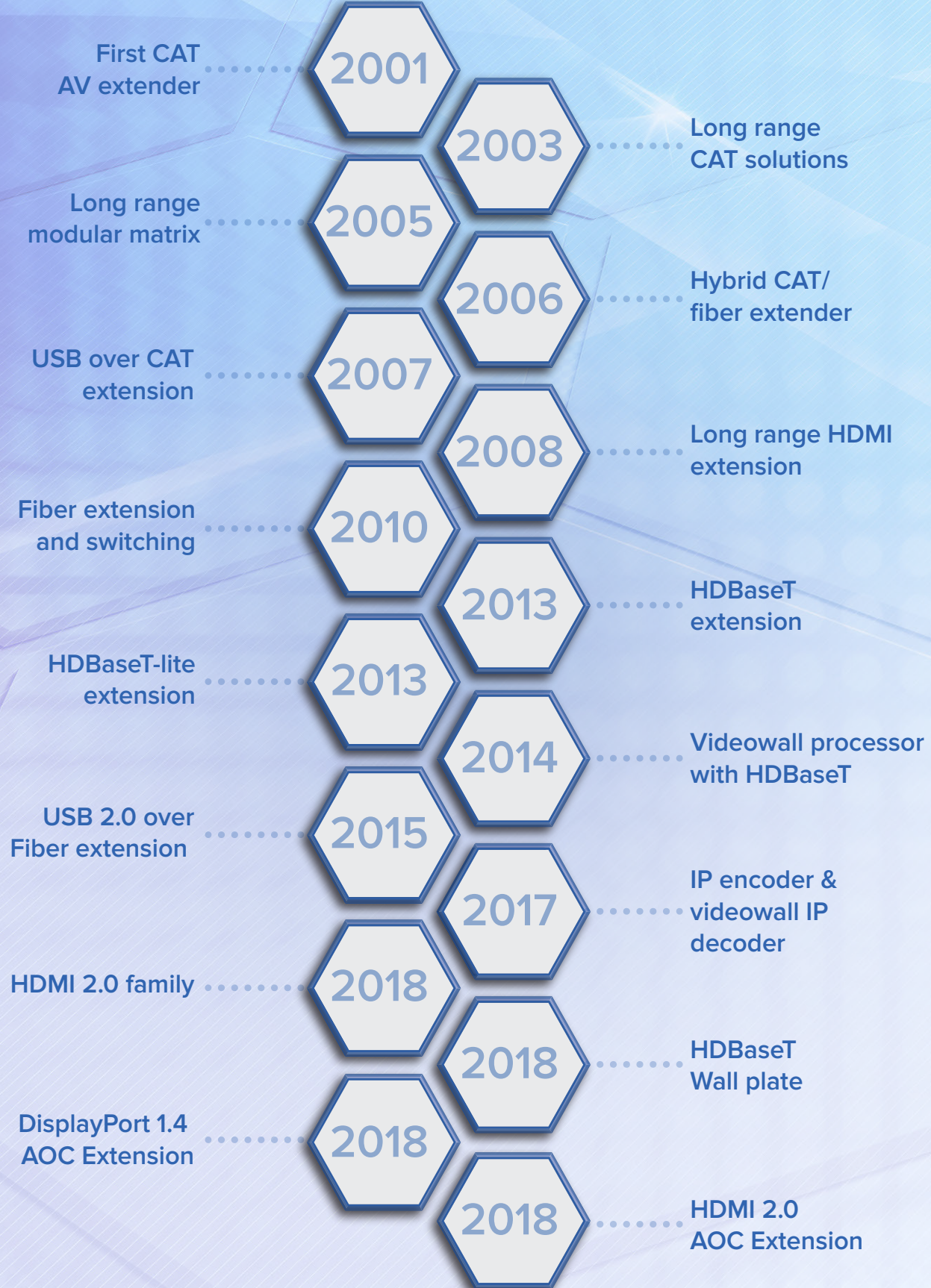
EXTEND

Extension solutions for all AV signals

Supporting mission-critical AV installations world-wide.
We Engineer Confidence.



tvONE extender product development timeline



The tvONE difference:

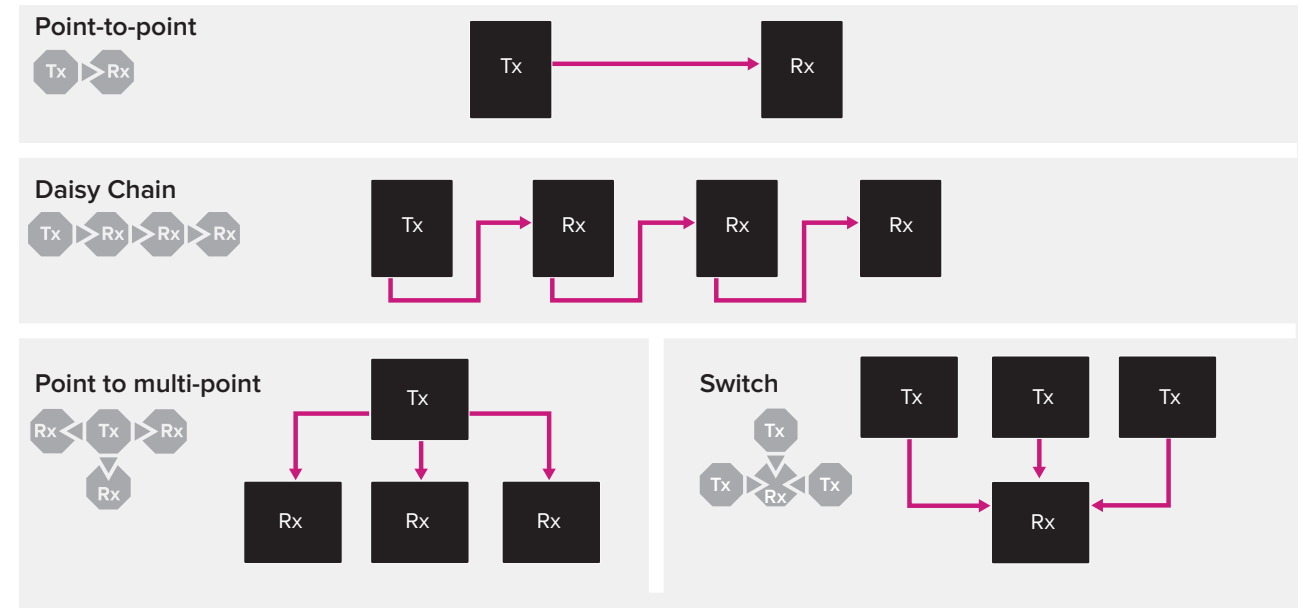
Suffering from degraded video? Step up to tvONE's leading range of reliable and robust video extension solutions. Choose from our range of cost effective, ultra-high performance and flexible extenders; 4K, HDMI, VGA, RGB, CV, Copper and Fiber - we have the perfect solution for you!

Extender selection guide:

Distance – Determining the distance is a key factor when choosing the right solution. tvONE offers the widest reach, from 197 feet (60 meters) to over 18 miles (30 Kilometers). All solutions are fully tested in real-world environments, guaranteeing system performance no matter the emissions and interference from other video signals, power or air conditioning. This means there are no “up to’s” with tvONE, just a guarantee we go the full distance!

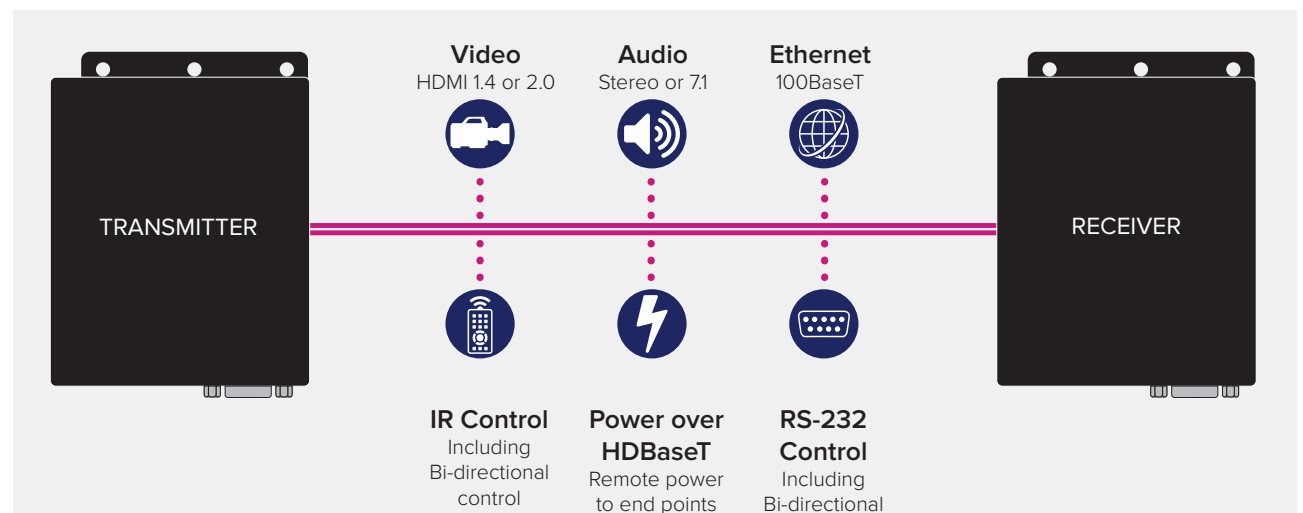
Cable – When it comes to extending video you can choose from UTP cable (Cat 5e or Cat 6) or Fiber. UTP is the perfect solution for most applications, but for a longer reach or power isolation (i.e. Medical operating rooms) choose Fiber.

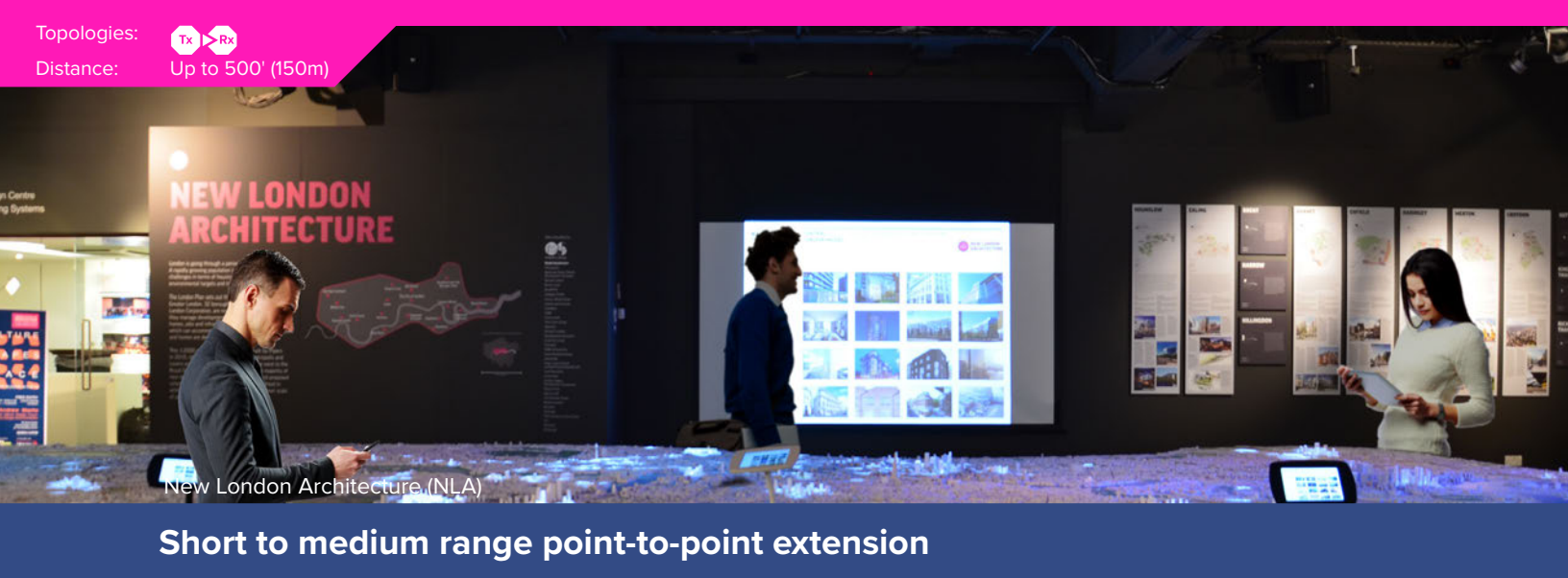
Topologies – Select the best design solution for the ultimate workflow. Options include:



Other options include distribution, auto-switch and matrix switching.

Function – Choose from a wide range of functionality to meet your specific requirements.





NEW LONDON ARCHITECTURE

New London Architecture (NLA)

Short to medium range point-to-point extension

Magenta provides simple yet powerful solutions for extending high resolution video up to 300m with no compression.

DisplayPort 1.4 Extension

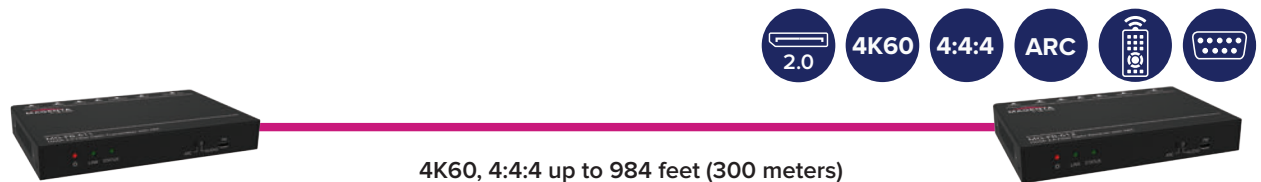


The MG-AOC-88x DisplayPort 1.4 plug and play cable series supports up to 8K60 4:4:4 with no compression or latency up to 328ft (100m) and is available in UL rated Plenum (CMP) or non-Plenum versions, providing the ultimate flexibility.

HDMI 2.0 Extension



The MG-AOC-66x HDMI 2.0 plug and play cables series supports up to 4K60 4:4:4 with no compression or latency up to 328ft (100m) and is available in UL rated Plenum (CMP) or non-Plenum versions, providing the ultimate flexibility.



The MG-FB-61x fiber optic transmitter and receiver kit is a powerful solution for extending uncompressed 4Kx2k 60Hz HDMI 2.0 signals over very long distances using multimode or singlemode LC fiber.

Compatible tvONE products



CORIOmaster



1T-SX-654

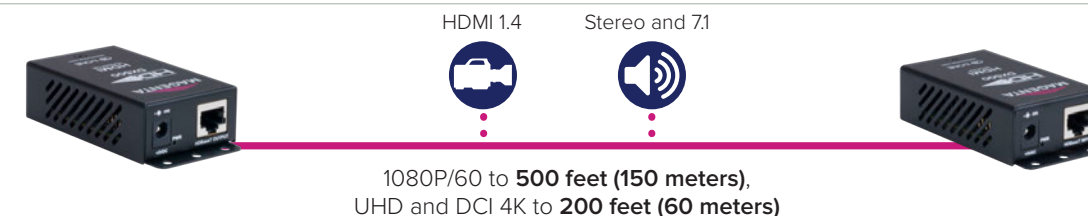


1T-MX-6588

Superior point-to-point extension

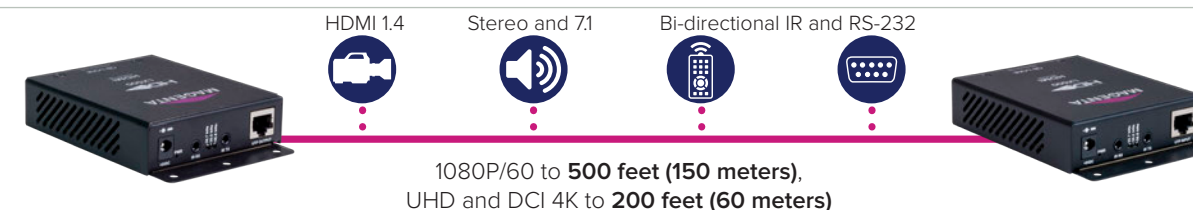
HD-One extension delivers ultra-reliable HDMI extension with real performance and distances up to 500 feet (150 meters) using Cat 5e, Cat 6 and Cat 7 cables, together with class leading performance in environments with emissions and interference.

HDBaseT Extension



The HD-One DX series is available in HDBaseT and extended range variants in a compact form factor for the transmission of HDMI 1.4 signals including 1080p, 3D, UHD/4K and 4K DCI. Together, the HD-One DX series has full audio support including LPCM 7.1CH, Dolby TrueHD, Dolby Digital Plus and DTS-HD.

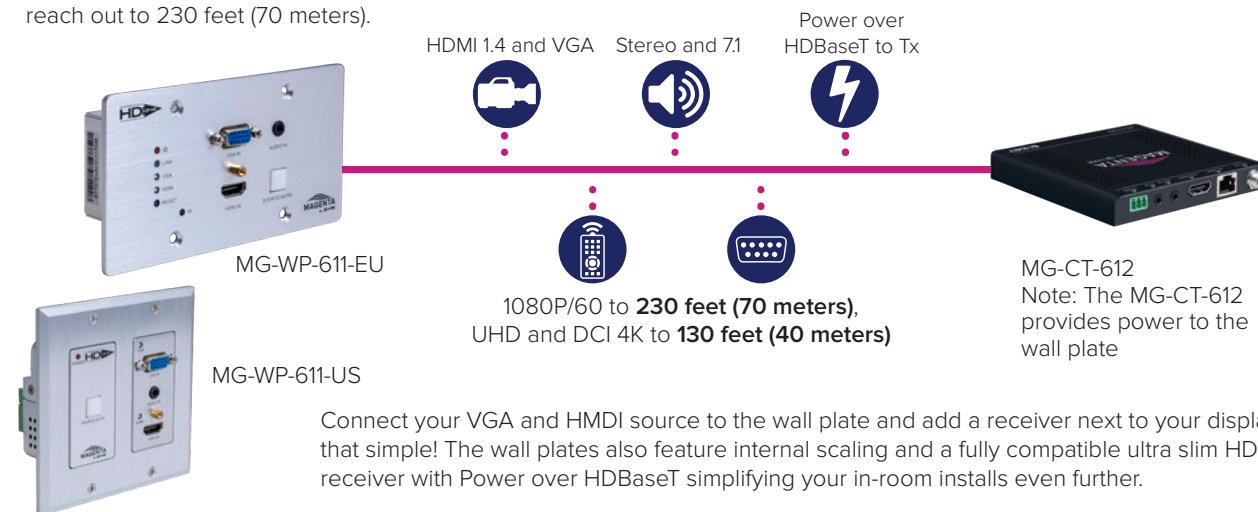
HDBaseT Extension with control



The HD-One LX series offers the same superior performance of the DX Series with additional support for bi-directional RS-232 and two-way, triple band Infrared signals.

Wall plate Transmitters

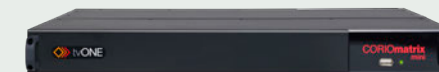
The proven reliability of the HD-One series also comes in a high quality anodized wall plate version that is available in both US and EU form factors. The MG-WP-611-US and MG-WP-611-EU are perfect for corporate and meeting room installs with proven reach out to 230 feet (70 meters).



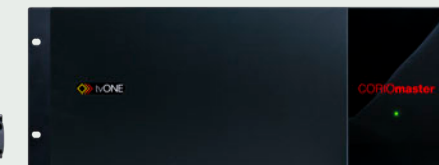
Compatible tvONE products



CORIOview: 4K multi-window viewer

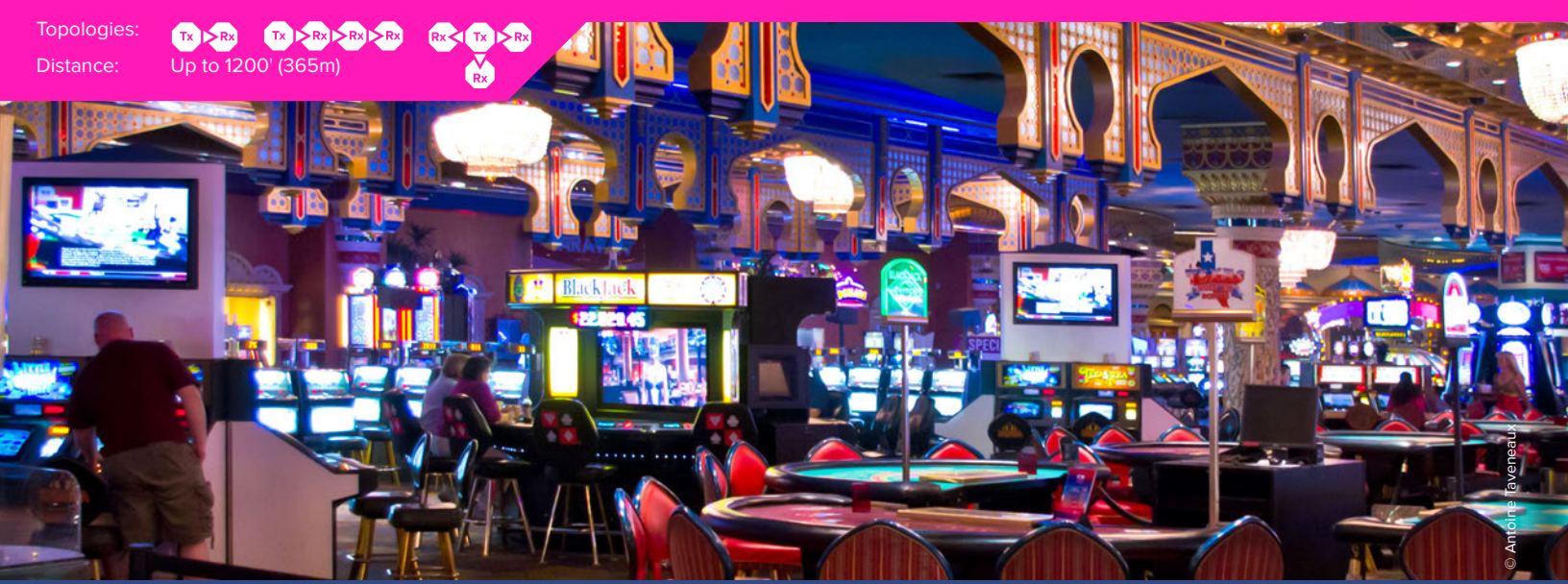


C3-310: CORIOmatrix mini
 4K universal scaling matrix router



C3-540: CORIOmaster
 4K video processor

Topologies: Distance: Up to 1200' (365m)

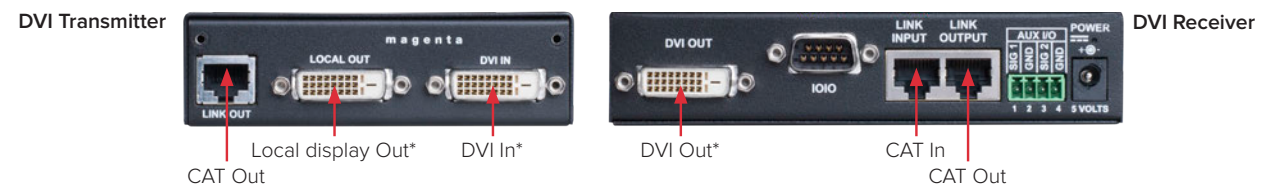


Long range copper extension (MultiView Series)

Multiview guarantees uncompressed performance with distances to 1000ft (303m) for HDMI and 1200ft (365m) for analog signals, using Cat5e/6 cable, together with industry leading performance in environments with emissions and interference. Auxiliary data options include serial control and audio as well as screen cascading and local monitor outputs.



Easily adapt to any application footprint. Transmitters can be cascaded and receivers can be daisy chained to deliver video, audio and control signals from a single source to hundreds of displays.



*HDMI & HDCP compatible

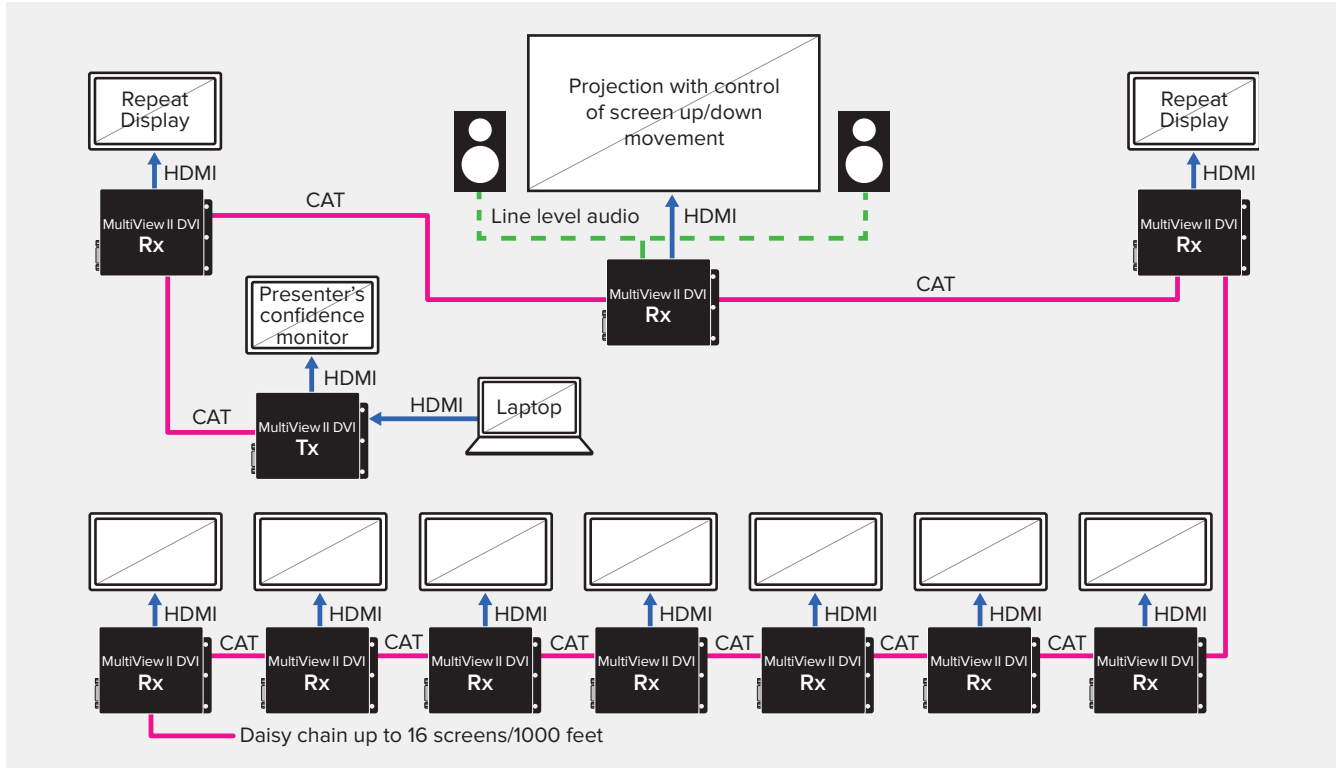
Combating the Skew Factor
 Variance in twist rates of standard CAT cable results in a color shift on the RGB channels. This "skew" can become noticeable at higher resolutions and longer distances. To combat skew, utilize approved skew-free cables or choose the AkuComp II option with Magenta receivers. Skew compensation is automatic with all MVII DVI Receivers.

MultiView family products

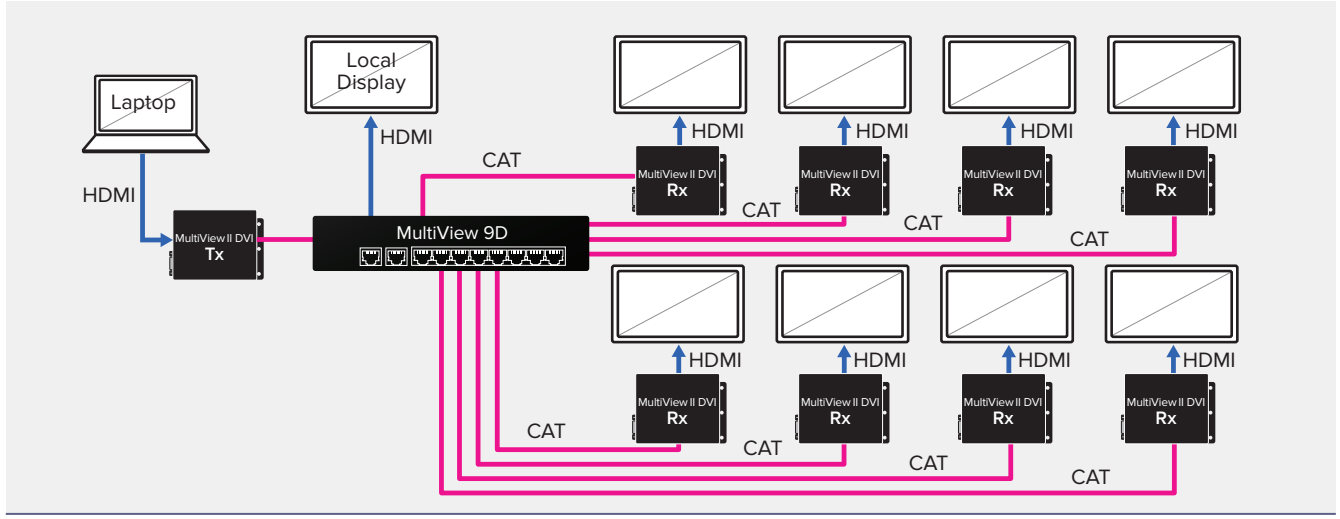
1. Standard Analog Tx
2. Analog Extended Range Tx
3. Analog Four port Tx
4. Eight port Analog Tx
5. DVI Tx
6. 600ft Analog Rx
7. 1200ft Analog Rx
8. 1000ft DVI Rx

Installation examples

Daisy Chain with audio and bi-directional control



Point to multi-point configuration



MultiView family products

Morph-it: Powered chassis for high density Tx cards

9D: nine port CAT DA

Mondo: expandable matrix up to 256 x 512

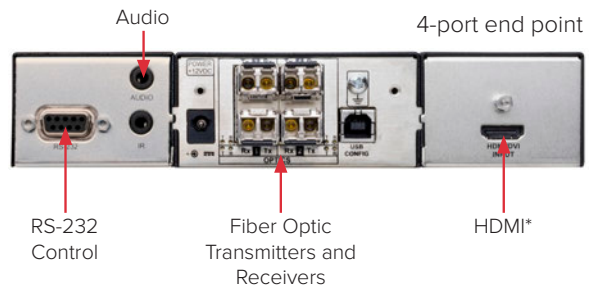
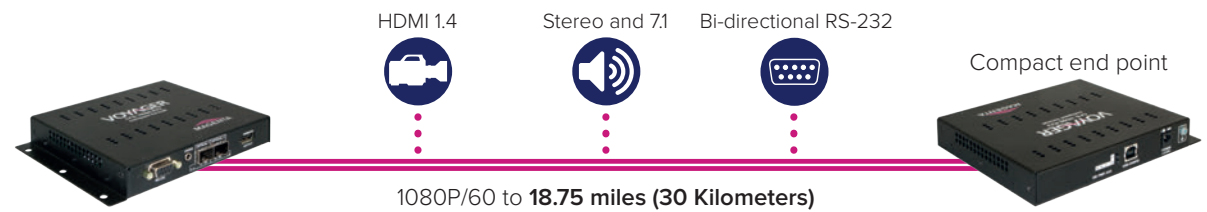
Topologies: Distance: Up to 18.75 miles (30 Km)



New York Stock Exchange (NYSE)

Long range Fiber extension (Voyager Series)

Voyager guarantees high performance on both short and long hauls of uncompressed 1080p/60 video. Options include single-mode (up to 18.75 miles / 30 kilometers) and multi-mode (up to 6,600 feet / 2 Kilometers) even with RS-232 control and audio. Choose between flexible 4-port or slim 2-port compact form end points, with built in duplex daisy chaining for the ultimate flexibility.



A Modular building block means that you can deliver hundreds of different system configurations, all over fiber. Options include single mode and multi-mode mixing, four-port switchable endpoints and slim two-port compact endpoints, as well as analog to digital conversion, and a powered chassis for card based Tx's and Rx's. Oh and it can all be attached to a massive 1000+ port matrix.

*HDCP compatible

Voyager family products

VG-48x: 48 port modular matrix



Voyager CF-18 Rackmount system



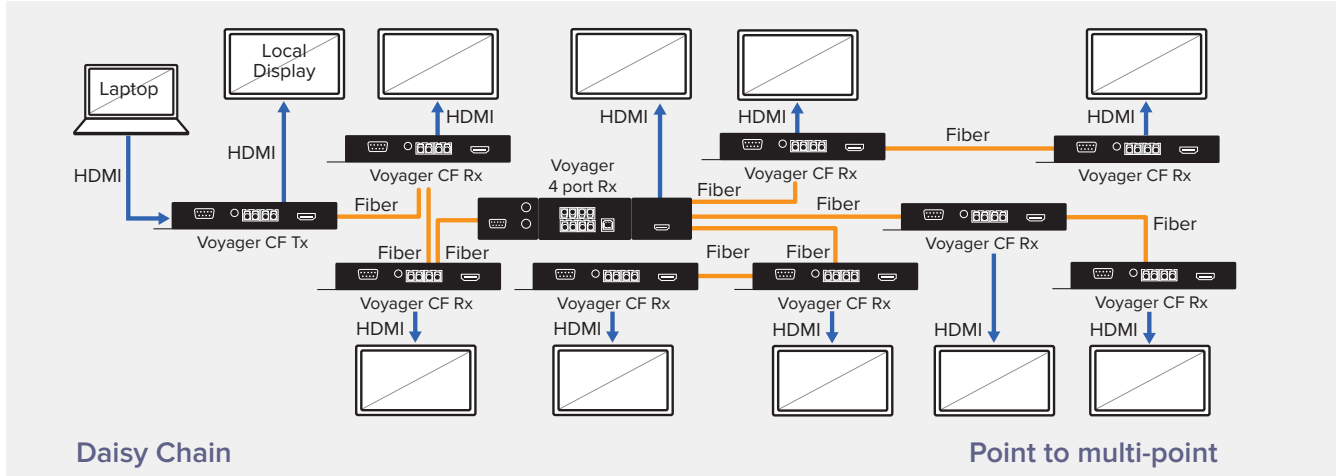
USB 2.0 end points

VG-160x: 160 port modular matrix with optional touch panel control

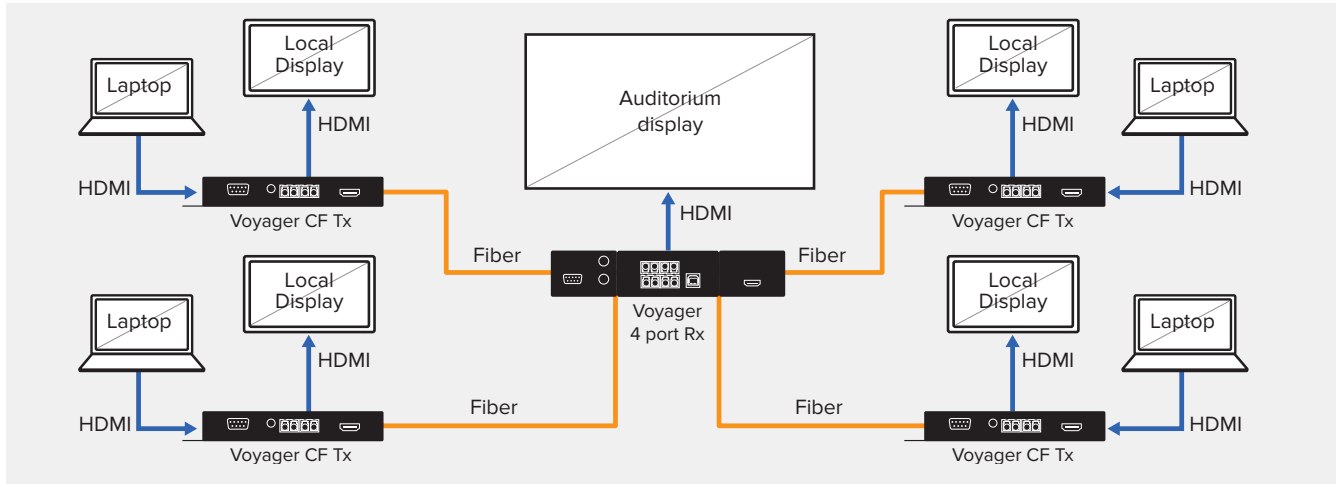


Installation examples

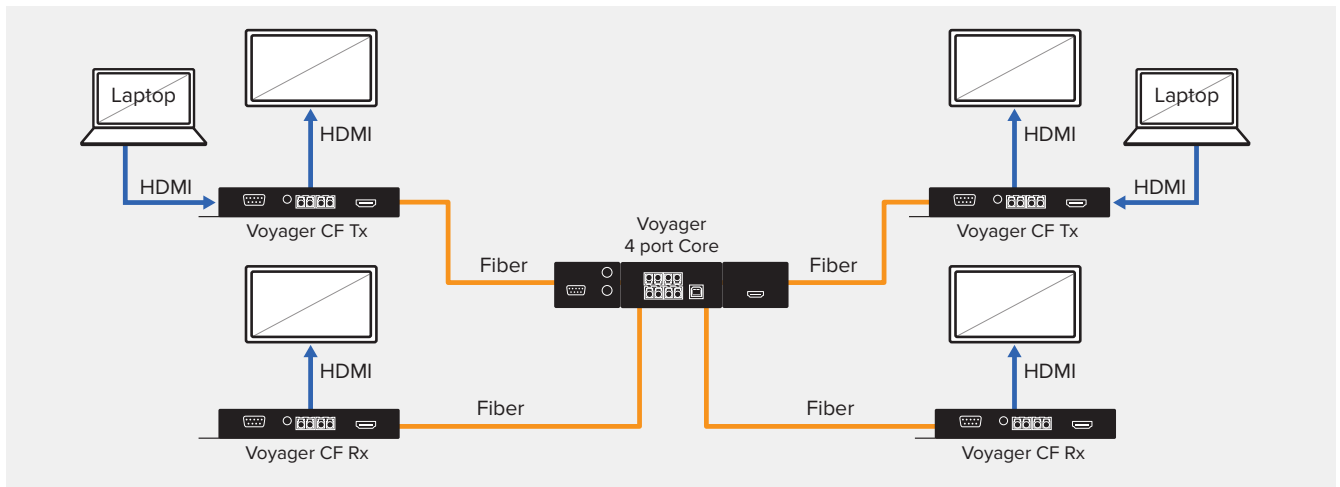
Daisy Chain and point to multi-point



Small switch



Auto switch (listening ring)



Feature comparison

	Signal		Control				Resolution			Distance					Cable										
	DisplayPort	HDMI	DVI	Analog	Infrared	RS-232	Ethernet	USB	POE	1080p	4k	8k	197 feet	230 feet	325 feet	500 feet	1000 feet	1200 feet	18 miles	CAT 5e	CAT 6	CAT 7	MM Fiber	SM Fiber	Plenum (CMP)
1T-CT-641/2	◆			◆						◆	◆		◆							◆					
1T-CT-647	◆			◆						◆	◆		◆							◆					
1T-CT-653/654A	◆			◆	◆	◆	◆	◆		◆	◆		◆							◆					
MG-WP-611 HD-One Wallplate	◆		◆	◆	◆			◆		◆	◆		◆							◆					
MG-CT-612	◆		◆	◆	◆			◆		◆	◆		◆							◆					
HD-One DX	◆									◆	◆		◆						◆	◆	◆				
HD-One DX500	◆									◆	◆		◆						◆	◆	◆				
HD-One LX	◆			◆	◆					◆	◆		◆						◆	◆	◆				
HD-One LX500	◆			◆	◆					◆	◆		◆						◆	◆	◆				
MultiView-II series	◆	◆	◆		◆				◆							◆			◆	◆					
Voyager series	◆		◆	◆	◆	◆			◆									◆				◆	◆		
MG-AOC-661-xxx	◆								◆	◆			◆									◆			
MG-AOC-662-xxx	◆								◆	◆			◆									◆		◆	
MG-AOC-881-xxx	◆								◆	◆	◆		◆									◆			
MG-AOC-882-xxx	◆								◆	◆	◆		◆									◆		◆	
Encoder-100	◆								◆					*IP					◆	◆					
MG-FB-61x	◆			◆	◆				◆	◆			◆									◆	◆		
CORIO HDBT input module	◆		◆			◆			◆	◆									◆	◆					
CORIO HDBT output module	◆					◆			◆										◆	◆					

Product compatibility

Medium range HDBaseT extenders	1T-CT-642 ONEtask Rx	1T-CT-654A ONEtask 5-PLAY Rx	2211094-02 HD-One DX Rx	2211122-01 HD-One DX500 Rx	2211096-02 HD-One LX Rx	2211124-01 HD-One LX500 Rx	MG-CT-612 HD-One PoH Rx	CM-HDBT-2IN- 1ETH CORIO HDBaseT input module (Rx)
1T-CT-641 ONEtask Tx	◆							◆
1T-CT-647 ONEtask 7 Port Tx	◆							◆
1T-CT-653 ONEtask 5-PLAY Tx		◆						◆
2211093-02 HD-One DX Tx			◆				◆	◆
2211121-01 HD-One DX500 Tx				◆				◆
2211095-02 HD-One LX Tx					◆		◆	◆
2211123-01 HD-One LX500 Tx						◆		◆
MG-WP-611 HD-One Wall Plate	◆	◆	◆	◆	◆	◆	◆	◆
CM-HDBT-SC-2OUT-1ETH CORIO HDBaseT output module Tx	◆	◆	◆	◆	◆	◆	◆	

Note: Where HDBaseT and HDBaseT Lite are used together, range will be the distance for the lesser extension.

MultiView II long range copper extenders	2620006-03 600ft Analog Rx	2620009-03 1200ft Analog Rx	MVII-DVI-RX-1K-S/A 1000ft DVI Rx
2620001-02 Standard analog Tx	◆		
2620002-03 Analog extended range Tx	◆	◆	
2620003-02 Analog 4 port Tx	◆	◆	
2620050-02 Analog 8 port Tx	◆	◆	
2620063-02 DVI Tx	◆	◆	◆

MultiView is available in several variants which add other options:

- A: Summed Audio & configurable to the -S version
- S: Simplex RS-232 (transmit only) & configurable to the -A version
- SAP: Stereo Audio, Duplex RS-232 with addressable receivers

Voyager long range fiber extenders	2211110-01 Compact Rx	2320008-01 HDMI 2 port Rx with scaling	2320017-01 HDMI 4 port Rx	2320018-01 HDMI 4 port Rx with scaling	2350201-MM USB 2.0 Rx
2211108-01 Compact Tx	◆	◆	◆	◆	
2310008-01 Analog 2 port Tx	◆	◆	◆	◆	
2310018-01 Analog 4 port Tx	◆	◆	◆	◆	
2310016-01 HDMI 4 port Tx	◆	◆	◆	◆	
2350500-MM USB 2.0 Tx					◆

Voyager can be ordered with several options:

- Voyager can use Single or Multi Mode technology
- Compact Tx and Rx can also be ordered as cards for an 18 slot powered chassis

EXTEND


SWITCH

DISTRIBUTE

DisplayPort 1.4 extension

Active Optical Cable
32- 328ft

MG-AOC-88x




HDMI 2.0 extension

MG-FB-61x Series

Active Optical Cable
32- 328ft

984ft

MG-AOC-66x



Point-to-point HDBaseT extension up to 500ft

LX500 → 500ft


DX500

DX → 328ft

HDBaseT wallplate and compact receiver

MG-WP-61t: HDBaseT wallplate with HDMI, VGA and audio inputs

MG-CT-612: Compact form HDBaseT Receiver




HDMI 2.0 Matrix Switchers

MX-6588 4K60 8x8 HDMI 2.0 Matrix

MX-6544 4K60 4x4 HDMI 2.0 Matrix


Ultra-compact HDMI 2.0 Switcher

1T-SX-654 4K60 4x4 HDMI 2.0 Switcher



4K Universal Scaling Matrix Router

CORIMatrix C3-340



4K Universal Scaling Matrix Router

CORIMatrix mini C3-310



HDMI 2.0 Distribution

1T-DA-682 4K60 1x2 Splitter

1T-DA-684 4K60 1x4 Distribution Amplifier

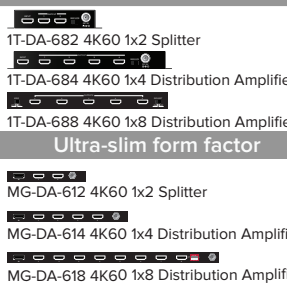
1T-DA-688 4K60 1x8 Distribution Amplifier

Ultra-slim form factor

MG-DA-612 4K60 1x2 Splitter

MG-DA-614 4K60 1x4 Distribution Amplifier

MG-DA-618 4K60 1x8 Distribution Amplifier



HDMI & DVI Distribution

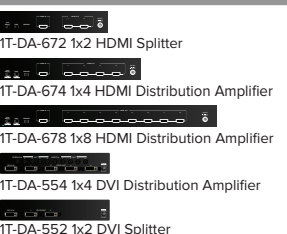
1T-DA-672 1x2 HDMI Splitter

1T-DA-674 1x4 HDMI Distribution Amplifier

1T-DA-678 1x8 HDMI Distribution Amplifier

1T-DA-554 1x4 DVI Distribution Amplifier

1T-DA-552 1x2 DVI Splitter



Magenta MultiView
Ultra-robust CAT6 matrix switching to 512 end points and distribution from 1 source to 729 displays

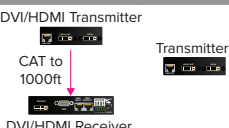
Point-to-Point CAT Extension - up to 1000ft

DVI/HDMI Transmitter

Transmitter

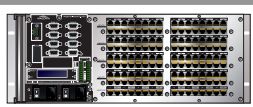
CAT to 1000ft

DVI/HDMI Receiver



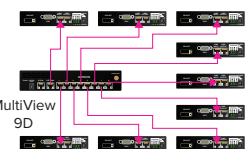
CAT Matrix Switcher

Mondo Matrices up to 256 x 512



CAT Distribution

MultiView 9D



Magenta Voyager
Dependable fiber distribution and matrix switching to 2000+ end points

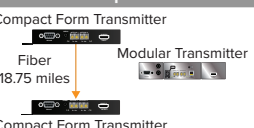
Fiber point-to-point extension - up to 18.75 miles

Compact Form Transmitter

Fiber 18.75 miles


Modular Transmitter

Compact Form Transmitter



Fiber Optic Matrix Switcher

Fiber Matrices up to 320 ports
Also available in a 48 port version.



Fiber Optic Distribution

Compact Form Transmitter

4-Port Receiver

