

KOP2549(-S)-XHB  
KOP2555(-S)-XHB



# Smart City Kiosks

INCLUDES 49" OR 55" XTREME™ HIGH BRIGHT OUTDOOR DISPLAY

Replace static signage with Peerless-AV's award-winning Smart City Kiosk, which allows you to seamlessly change digital content whenever, where ever. The included Xtreme™ High Bright Outdoor Display is IP68 Rated, meaning the display is fully sealed and weatherproof. The Xtreme display also offers full HD1080p resolution for a bright crisp, picture, even in direct sunlight. The Smart City Kiosk features a curved, modular design that seamlessly blends into any environment, and offers quick access to the display, for maintenance, without disturbing any adjacent units. Plus, installation is made easy without the need for cranes or forklifts, and a 10-point IR touch overlay makes the kiosk interactive for all users.



All Weather Rated



Operating Temperature Range:

-31°F - 140°F  
(-35°C to 60°C)

- Elegant, minimalistic design covers, protects and ventilates displays and equipment
- Practical, modular design to maintain or replace displays quickly
- No additional layer of glass needed between display and enclosure, creating glare
- Wind tested up to 140 mph
- Easily add-on additional technology components, such as IR touch overlays, cameras, routers, antennas and more, to make this a true Smart City Kiosk



**AMBIENT LIGHT SENSOR**

Automatically adjusts brightness to best match the lighting conditions

**IP68 RATED DISPLAY**

Fully sealed design prevents the ingress of foreign materials, such as water, dust, moisture and insects, from entering the display

**ULTRA SLIM DESIGN**

Sleek and stylish, yet rugged enough to be installed in any application

**IP RATED STORAGE AREA TESTED TO IP56**

Protected with PermaFlo® filters and cooling fans to hold components at their ambient operating temperature

Kiosk: **RoHS** 2012/19EC    Display: **IP**

|                 |  |
|-----------------|--|
| KOP2549(-S)-XHB | Smart City Kiosk, Includes 49" Xtreme™ High Bright Outdoor Display |
| KOP2555(-S)-XHB | Smart City Kiosk, Includes 55" Xtreme™ High Bright Outdoor Display |

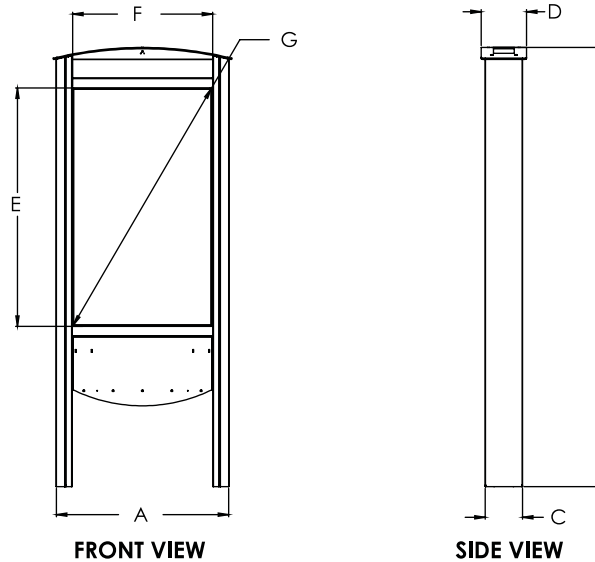
**Product Specifications**

|                 | DIMENSIONS (W x H x D)                          | PRODUCT WEIGHT | FINISH | AVAILABLE COLORS |
|-----------------|---|----------------|--------|------------------|
| KOP2549(-S)-XHB | 32.38" x 82.34" x 8.50"<br>(822 x 2091 x 216mm) | 240lb (530kg)  | Smooth | Black or Silver  |
| KOP2555(-S)-XHB | 35.38" x 82.34" x 8.50"<br>(898 x 2091 x 216mm) | 275lb (607kg)  |        |                  |

**Package Specifications**

|                 | PACKAGE SIZE (W x H x D)                           | PACKAGE SHIP WEIGHT | PACKAGE UPC CODE   | PACKAGE CONTENTS                                | UNITS IN PACKAGE |
|-----------------|--|---------------------|--|---|------------------|
| KOP2549(-S)-XHB | 48.00" x 90.00" x 40.00"<br>(1219 x 2286 x 1016mm) | 280lb (617kg)       | KOP2549-XHB: 735029324102<br>KOP2549-S-XHB: 735029324096 | Kiosk, Mounting Hardware, Display, Instructions | 1                |
| KOP2555(-S)-XHB |  | 315lb (695kg)       | KOP2555-XHB: 735029324119<br>KOP2555-S-XHB: 735029324126 |   |                  |

All dimensions = inch (mm)



| MODEL NO.   | DIMENSION "A"  | DIMENSION "B"   | DIMENSION "C" | DIMENSION "D" | DIMENSION "E"   | DIMENSION "F"  | DIMENSION "G"   |
|-------------|----------------|-----------------|---------------|---------------|-----------------|----------------|-----------------|
| KOP2549-XHB | 32.38" (822mm) | 82.34" (2091mm) | 7.00" (178mm) | 8.50" (216mm) | 42.08" (1069mm) | 24.55" (623mm) | 49.00" (1244mm) |
| KOP2555-XHB | 35.38" (898mm) | 82.34" (2091mm) | 7.00" (178mm) | 8.50" (216mm) | 50.11" (1272mm) | 29.06" (738mm) | 55.00" (1397mm) |

**Architect Specifications**

The Smart City Kiosk shall be a Peerless-AV® model KOP2549(-S)-XHB or KOP2555(-S)-XHB and shall be located where indicated on the plans. Assembly and installation shall be done according to instructions provided by the manufacturer.

Visit [peerless-av.com](http://peerless-av.com) to see the complete line of AV solutions from Peerless-AV, including outdoor displays, wireless, kiosks, digital audio, display mounts, projector mounts, carts/stands, and a full assortment of accessories.

**Peerless-AV**  
2300 White Oak Circle  
Aurora, IL 60502 USA  
  
**(800) 865-2112**  
**(630) 375-5100**  
**Fax: (800) 359-6500**

**Peerless-AV EMEA**  
Unit 3 Watford Interchange  
Colonial Way, Watford  
Herts, WD24 4WP  
United Kingdom  
**+44 (0) 1923 200100**  
**Fax: +44 (0) 1923 200101**

**Peerless-AV Latin America**  
Ave de las Industrias 413  
Parque Industrial Escobedo  
Escobedo, N.L.,  
Mexico 66062  
**+52 (81) 8384-8300**  
**Fax: +52 (81) 8384-8360**

