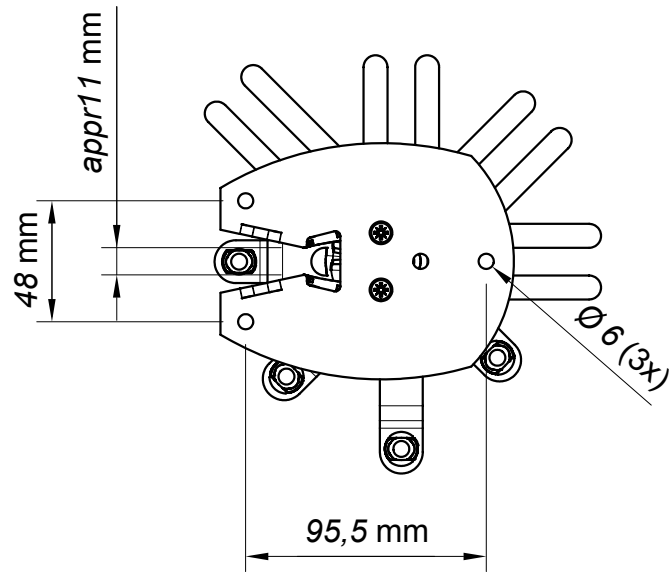
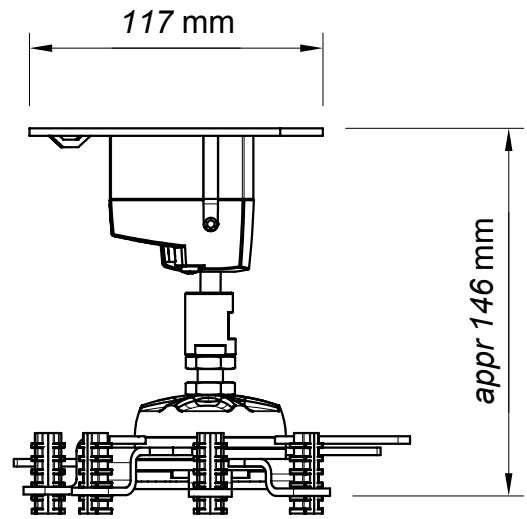
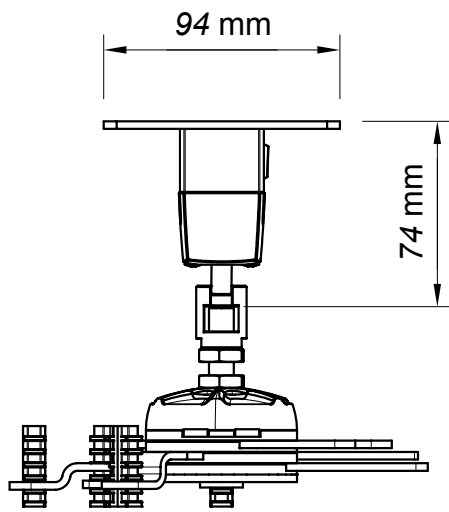


AE014015 CL F75 incl Unislide Dimensions



AE014025/27/28 CL F250/500/700 incl Unislide Dimensions

