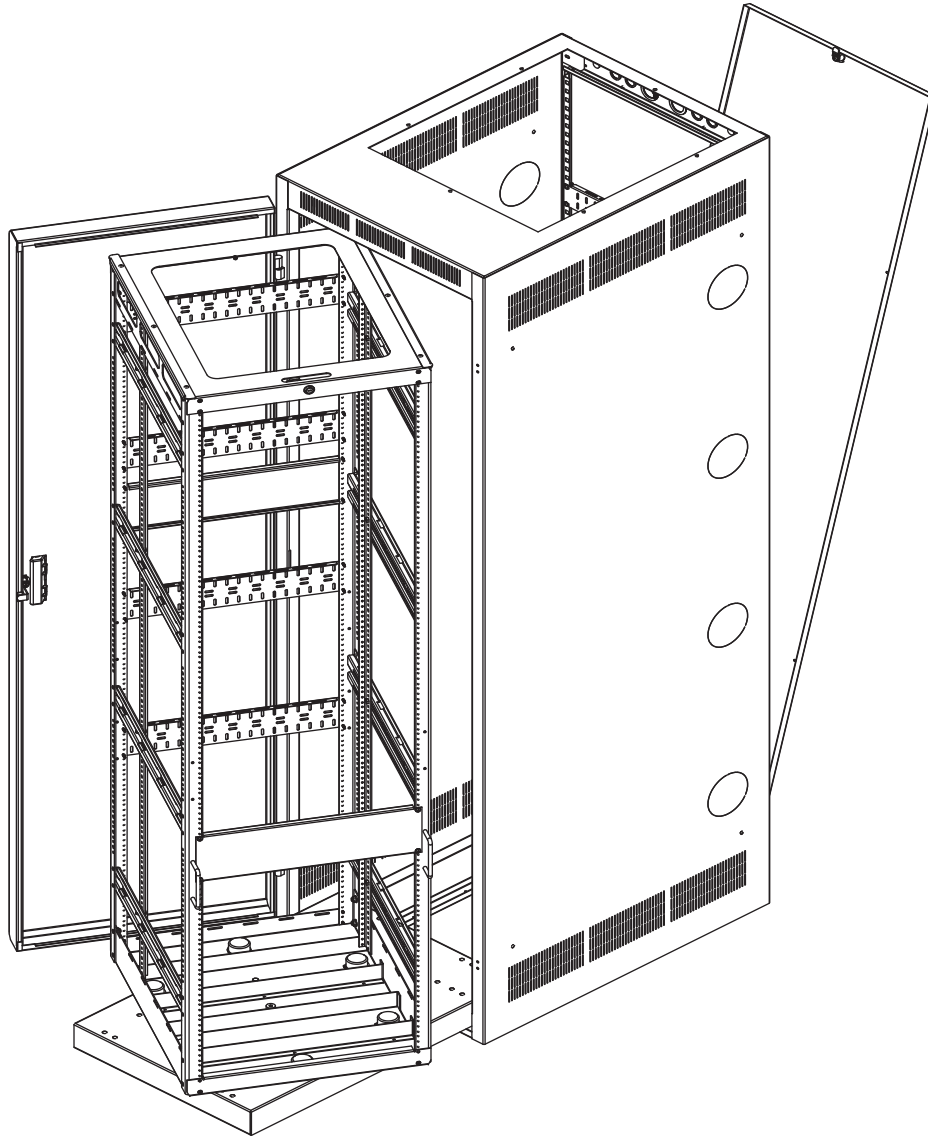


INSTRUCTION SHEET
WR SERIES
ROLL OUT ROTATING SYSTEM IN STEEL
HOST ENCLOSURE



THANK YOU

Thank you for purchasing the WR Series. Please read these instructions thoroughly before installing / assembling this product.

PRODUCT FEATURES

- Roll out, rotating system provides unrestricted access to equipment and cabling
- Rack rolls out without the need for tracks and stands
- Top options available to facilitate either Passive (Convection) or Active (Forced Air Flow) thermal management

SAVE ALL INSTRUCTIONS / CONSERVER CES INSTRUCTIONS



DANGER HAZARDOUS VOLTAGE/DANGER HAUTE TENSION

The lightning flash with the arrowhead symbol, within an equilateral triangle is intended to alert the user to the presence of uninsulated dangerous voltage within the product's enclosure that may be of sufficient magnitude to constitute a risk of electric shock to persons.

L'éclair avec le symbole de flèche dans un triangle équilatéral est destiné à alerter l'utilisateur de la présence d'une tension dangereuse non isolée dans l'enceinte du produit qui peut être d'une ampleur suffisante pour constituer un risque de choc électrique pour les personnes.



CAUTION/ATTENTION The exclamation point within an equilateral triangle is intended to alert the user to the presence of important operating and maintenance (servicing) instructions in the literature accompanying the appliance.

Le point d'exclamation dans un triangle équilatéral est destiné à alerter l'utilisateur de la présence d'importants instructions d'opération et de maintenance (entretien) dans la documentation accompagnant l'appareil.



WARNING: Failure to read, understand and follow the following information can result in serious personal injury, damage to the equipment or voiding of the warranty.

AVERTISSEMENT: Ne pas lire, comprendre et suivre les informations suivantes peut entraîner des blessures graves, des dommages à l'équipement ou de la nullité de la garantie.



CAUTION: To avoid an unstable condition, place heavier components at the bottom of the enclosure. When more than one component is placed in the enclosure, begin at the bottom of the enclosure and place equipment at the lowest available point, evenly distribute weight (horizontally) within the enclosure.

Component weight should be distributed as follows:

- 1/2 of the total component weight (at a minimum) placed in the bottom third of the cabinet
- 1/4 of the total component weight (at a maximum) placed in the middle third of the cabinet
- 1/4 of the total component weight (at a maximum) placed in the top third of the cabinet

ATTENTION: Pour éviter un état instable, placez composants les plus lourds au fond de l'enceinte. Lorsque plus d'un composant est placé dans la enceinte, commencer par le bas de l'enceinte et placer l'équipement à la point le plus bas disponible, de distribuer uniformément le poids (horizontalement) dans le enceinte.

Le poids des composants devrait être réparti comme suit:

- 1/2 du poids total de la composante (au minimum) placé dans le tiers inférieur de l'armoire
- 1/4 du poids total de la composante (au maximum) placé dans le tiers médian de l'armoire
- 1/4 du poids total de la composante (au maximum) placé dans le tiers supérieur de l'armoire

IMPORTANT SAFETY INSTRUCTIONS / INSTRUCTIONS IMPORTAANTES SUR LA SÉCURITÉ



CAUTION: All installation and assembly steps must be performed by qualified personnel.

ATTENTION: Toutes installation et de montage étapes doivent être effectuées par du personnel qualifié.



CAUTION: Ensure that the floor has a structural load capacity that will support the weight of the cabinet fully loaded with equipment.

ATTENTION: Veiller à ce que le sol a une capacité de charge structurelle qui supporter le poids de le cabinet entièrement chargé avec l'équipement .



CAUTION: Some parts of the enclosure system may not be effectively bonded to the Protective Earth Terminal (PET). If these parts need to be bonded to the PET it should be done in accordance with Article 250 of the National Electrical Code.

ATTENTION: Certaines parties du système d'enceinte ne peut être efficacement liée à la Terre de protection Terminal (PET). Si ces pièces doivent être collées au PET, il devrait être fait conformément à l'article 250 du Code national de l'électricité.



CAUTION: Power cord(s), for fans or other accessories, need to be secured to ensure that they are routed away from pinch points and moving parts.

ATTENTION: Le cordon d'alimentation (s), pour les fans ou autres accessoires, doivent être fixé à veiller à ce que ils sont acheminés loin des points de pincement et des pièces mobiles.

IMPORTANT SAFETY INSTRUCTIONS / INSTRUCTIONS IMPORTAANTES SUR LA SÉCURITÉ



CAUTION: Use caution when moving the cabinets with casters installed. There is a possibility of tilting. Always move cabinet over smooth floor surfaces and a short distance only. The enclosure should only be moved by pushing on the front or rear of the cabinet. DO NOT push from the side.

ATTENTION: Soyez prudent lors du déplacement des armoires à roulettes installées. Il se agit d'un possibilité de basculement. Toujours déplacer l'armoire sur les surfaces lisses et à une courte distance seulement. L'enceinte ne doit être déplacé en poussant sur le devant ou à l'arrière de l'armoire. FAIRE PAS pousser de côté.



CAUTION: Do not attempt to unload or move the enclosures alone. Make sure to have sufficient amount of personnel and equipment to safely move this product.

ATTENTION: Ne essayez pas de décharger ou déplacer les enceintes seul. Assurez-vous d'avoir quantité suffisante de personnel et de matériel pour déplacer ce produit en toute sécurité.



WARNING: When rotated and in the service position, do not push rack. Rack must be returned to non-rotated position before pushing rack back into host enclosure or death or serious injury can occur.

AVERTISSEMENT: Lorsque tourné et dans la position de service, ne pas pousser rack. Rack doit être retourné à la position non-rotation avant de pousser en fond de rack hôte ou la mort ou des blessures graves peuvent se produire.

SPECIFICATIONS

Heights:	24 RU to 44 RU (each RU = 1.75")
Width:	24"
Depths:	26" and 36"
Max. Rollout:	25" and 35"
Load Ratings:	750 lbs. load rating

Added Weight (Loading): Total added weight should be distributed as follows:

- 1/2 of the total added weight (at a minimum) placed in the bottom third of the enclosure
- 1/4 of the total added weight (at a maximum) placed in the middle third of the enclosure
- 1/4 of the total added weight (at a maximum) placed in the top third of the enclosure

ASSEMBLY

Tools Needed: #2 Phillips Driver

NOTE: Use caution when opening and closing rack.

NOTE: Ensure the green Grounding/Bonding cable has been disconnected at the quick connect/disconnect before removing the rack from the host enclosure.

- 1) Remove rack frame from host enclosure.
(See **FIGURE A**) To remove rack frame, first install handles in the desired mounting hole locations.
- 2) Slide out the rack frame to end of track
(See **FIGURE B**).
- 3) Using handles and with foot placed at bottom of rack frame, carefully tilt rack frame slightly forward and remove from host enclosure (See **FIGURE B**)
- 4) Mount equipment into rack frame.
- 5) For proper cable management, adjust lacer bars on rack frame and host enclosure as needed.

NOTE: Floor must be level before mounting host enclosure.

- 6) Mount host enclosure to floor using the 4 mounting holes on bottom of enclosure. (See **FIGURE C**)



NOTE: 1/2 of total equipment weight must be mounted in lower 1/3 of the rack.

NOTE: Connect the green Grounding/Bonding cables to each other at the quick connect/disconnect before installing the rack into the host enclosure.

7) Once equipment is installed, guide rack and position rear casters by aligning with guides of host enclosure. Slide rack completely into the host enclosure and lock. (See **FIGURE B**)

8) Lock rack in the closed position using the keylock at top of the rack frame. (See **FIGURE A**)

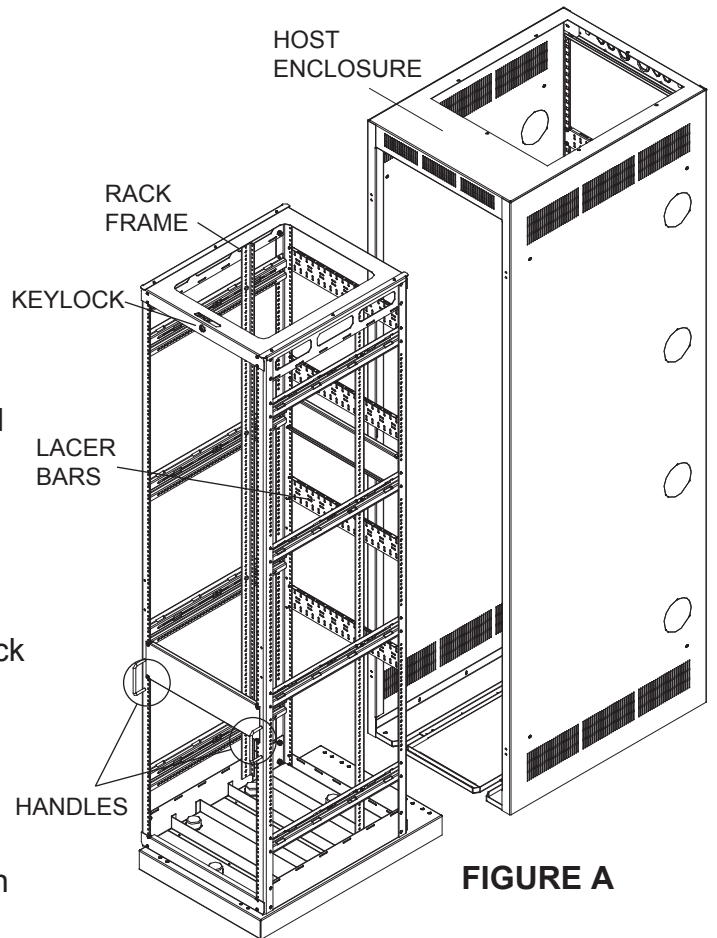


FIGURE A

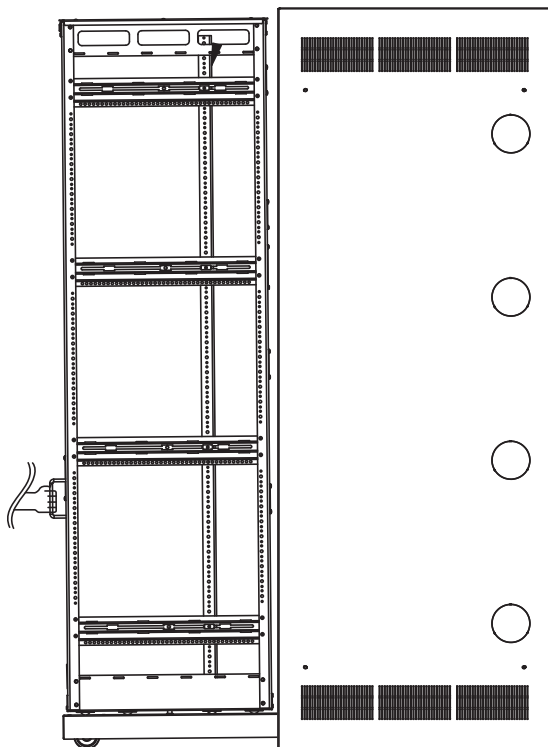


FIGURE B

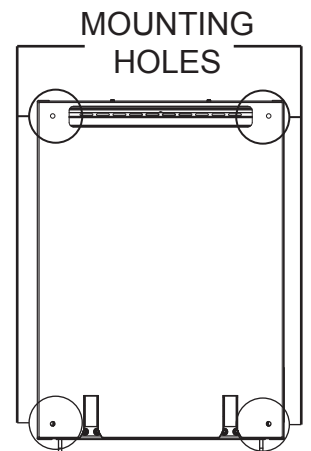


FIGURE C

CABLE MANAGEMENT

NOTE: Determine in which direction the rack frame will rotate before beginning cable management. When lacing cables into the back of the host enclosure, dressing should be done while the rack frame is removed.

- 1) Remove the rack frame from the host enclosure.
- 2) Bring all wiring into the host enclosure rear through either the bottom or top.
(See **FIGURE D**)

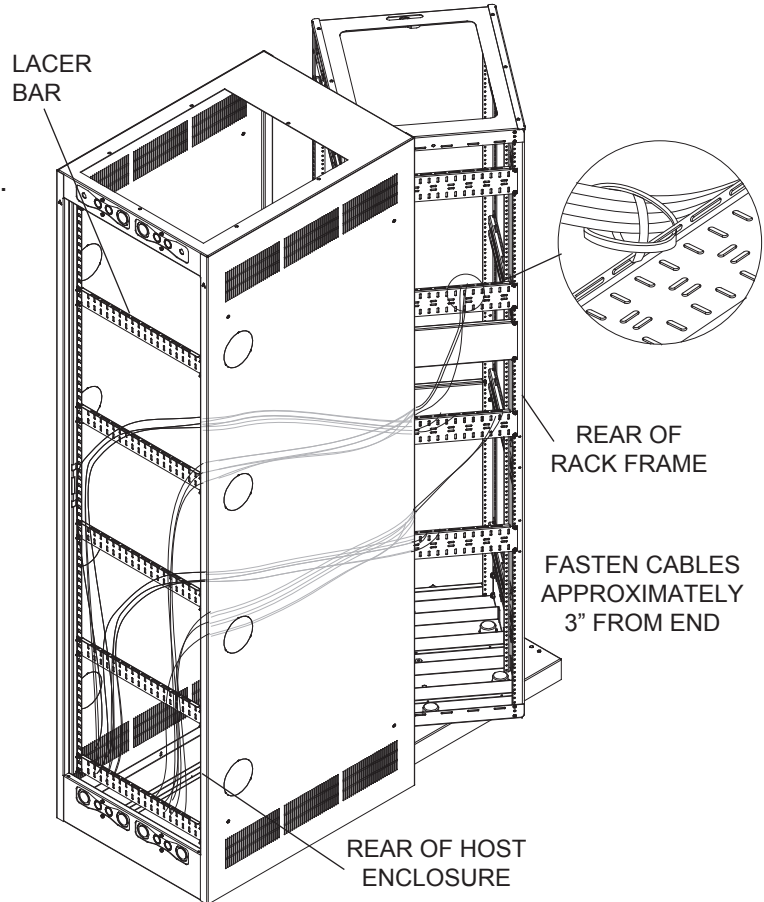
TIP: It is recommended that you leave about 8 to 10 extra feet of cable to allow rack frame to fully extend and rotate.

- 3) Stand inside host enclosure and begin fastening cables to the lacer bars on the rear of the host enclosure.
- 4) At the rear of the host enclosure, select one side of the lacer bars for signal cables, and the opposite side for power cables (See **FIGURE E** for reference). Lace the cables vertically to the lacer bars starting from either the top or the bottom of the host enclosure.
- 5) Determine at which host enclosure lacer bar the cable bundle will go to the rack frame from and fasten the cable bundle to this point. (The extra 8 to 10 feet should start at where the bundle is fastened to the host enclosure lacer bar at the point where it will go to the rack frame)
- 6) Bring the rack frame to the front of the host enclosure and pull the cable bundles into the rack frame. Slide the rack frame into the host enclosure. Make sure that the cables are free and clear when doing so.
- 7) Extend the rack frame and rotate as shown. (rotate the rack frame in the predetermined direction)
- 8) Crisscross the cable bundles from the host enclosure to the rack frame and fasten to the lacer bars at the rear of the rack frame. (See **FIGURE E**)
- 9) Ensure cable bundles that go from the host enclosure to the rack frame are pulled tight.

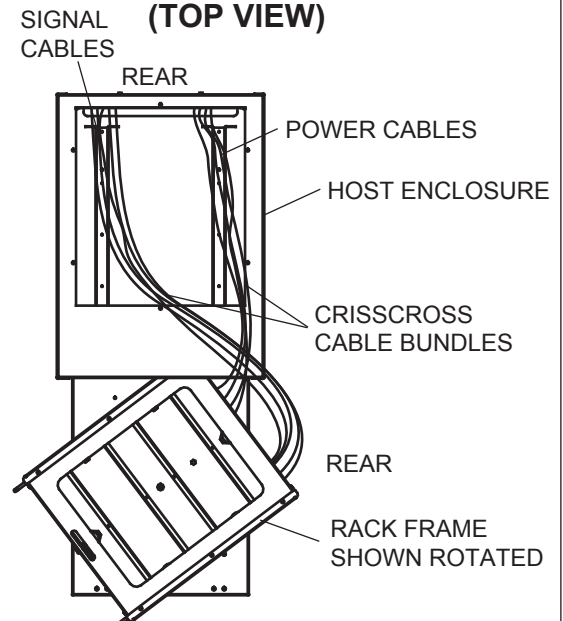
Cable Management Tip: Tie cable bundles at least every 6" - 8". This allows cable bundles to lay neatly together when the rack frame is in the closed position.

PROPER METHOD OF FASTENING CABLES USING WIRE TIES AND HOOK AND LOOP STRAPS (HINT - LEAVE THIS LOOSE)

FIGURE D



**FIGURE E
(TOP VIEW)**



GANGING CABINETS - REQUIRES MIDDLE ATLANTIC PRODUCTS MODEL # GANG-10 (SOLD SEPARATELY)

WARRANTY

Middle Atlantic Products (the "Company") warrants the WR Series Enclosure to be free from defects in material or workmanship under normal use and conditions for the lifetime of the product.

The Company's entire liability to the purchaser, and the purchaser's (or any other party's) sole and exclusive remedy, under this warranty shall be limited, at the Company's option, to either (a) return of and refund of the price paid for, or (b) repair or replacement at the Company's factory of the products purchased, or any part or parts thereof, which the Company has determined to be defective after inspection thereof at the Company's factory.

This warranty does not cover damage due to acts of God, accident, misuse, abuse or negligence by parties other than the Company, or any modification or alteration of the products. In addition, this warranty does not cover damage due to improper handling, assembly, installation or maintenance.

THIS WARRANTY IS IN LIEU OF ALL OTHER WARRANTIES OF ANY KIND, EITHER EXPRESSED OR IMPLIED, INCLUDING, BUT NOT LIMITED TO, IMPLIED WARRANTIES OF MERCHANTABILITY AND FITNESS FOR A PARTICULAR PURPOSE.

TO THE MAXIMUM EXTENT PERMITTED BY APPLICABLE LAW, IN NO EVENT SHALL THE COMPANY BE LIABLE FOR ANY SPECIAL, INCIDENTAL, INDIRECT, OR CONSEQUENTIAL DAMAGES WHATSOEVER (INCLUDING, WITHOUT LIMITATION, DAMAGES FOR LOSS OF BUSINESS PROFITS, BUSINESS INTERRUPTION OR ANY OTHER PECUNIARY LOSS) ARISING OUT OF THE USE OF THE PRODUCTS PURCHASED, EVEN IF THE COMPANY HAS BEEN ADVISED OF THE POSSIBILITY OF SUCH DAMAGES. THE COMPANY'S LIABILITY TO THE PURCHASER (OR ANY OTHER PARTY) HEREUNDER, IF ANY, SHALL IN NO EVENT EXCEED THE PURCHASE PRICE OF THE PRODUCTS PAID TO THE COMPANY.

Corporate Headquarters

Corporate Voice 973-839-1011 - Fax 973-839-1976
International Voice +1 973-839-8821 - Fax +1 973-839-4982
middleatlantic.com - info@middleatlantic.com

Middle Atlantic Canada

Voice 613-836-2501 - Fax 613-836-2690
middleatlantic.ca - customerservicecanada@middleatlantic.ca

Factory Distribution

USA: NJ - CA - IL Canada: ON - BC

At Middle Atlantic Products we are always listening. Your comments are welcome.

Middle Atlantic Products is an ISO 9001 and ISO 14001 Registered Company.

