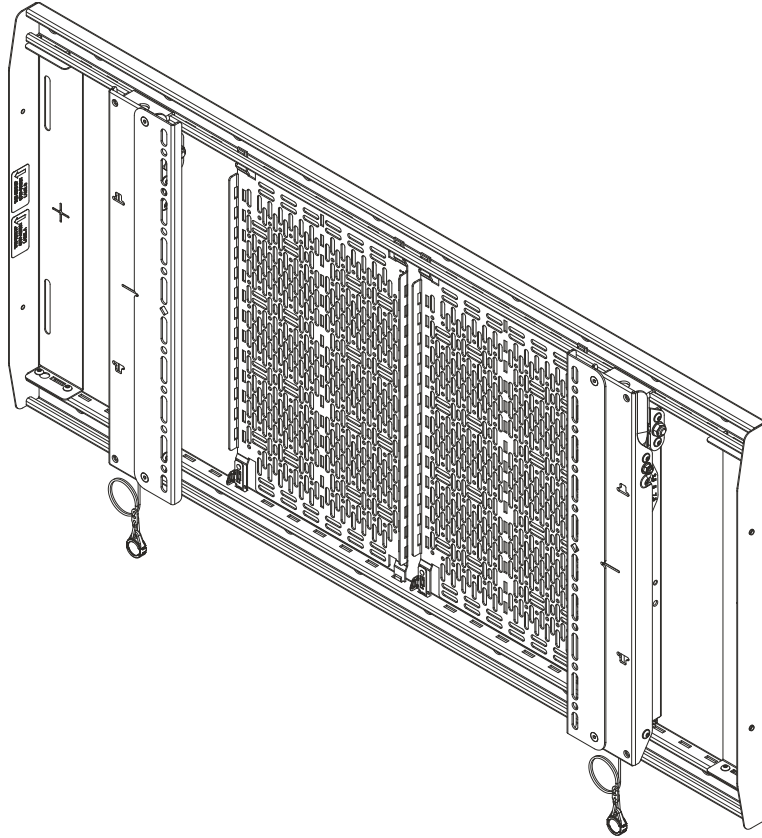

INSTALLATION INSTRUCTIONS



S3 Tempo™ Low Density Wall Mount

CHIEF®

A brand of **legrand®**

AS3LD

DISCLAIMER

Legrand | AV and its affiliated corporations and subsidiaries (collectively "Legrand | AV"), intend to make this manual accurate and complete. However, Legrand | AV makes no claim that the information contained herein covers all details, conditions or variations, nor does it provide for every possible contingency in connection with the installation or use of this product. The information contained in this document is subject to change without notice or obligation of any kind. Legrand | AV makes no representation of warranty, expressed or implied, regarding the information contained herein. Legrand | AV assumes no responsibility for accuracy, completeness or sufficiency of the information contained in this document.

Chief®, Tempo™ and Lever Lock™ are registered trademarks of Legrand AV Inc.



DEFINITIONS

MOUNTING SYSTEM: A MOUNTING SYSTEM is the primary Chief product to which an accessory and/or component is attached.

ACCESSORY: AN ACCESSORY is the secondary Chief product which is attached to a primary Chief product, and may have a component attached or setting on it.

COMPONENT: A COMPONENT is an audiovisual item designed to be attached or resting on an accessory or mounting system such as a video camera, CPU, screen, display, projector, etc.



WARNING: A WARNING alerts you to the possibility of serious injury or death if you do not follow the instructions.



CAUTION: A CAUTION alerts you to the possibility of damage or destruction of equipment if you do not follow the corresponding instructions.



IMPORTANT SAFETY INSTRUCTIONS



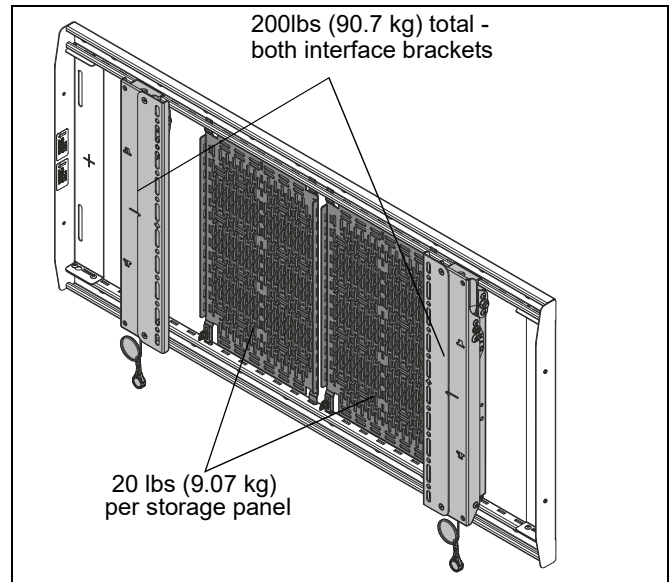
WARNING: Failure to read, thoroughly understand, and follow all instructions can result in serious personal injury, damage to equipment, or voiding of factory warranty! It is the installer's responsibility to make sure all mounting systems are properly assembled and installed using the instructions provided.



WARNING: Failure to provide adequate structural strength for this mounting system can result in serious personal injury or damage to equipment! It is the installer's responsibility to make sure the structure to which this mounting system is attached can support five times the combined weight of all equipment. Reinforce the structure as required before installing the mounting system.



WARNING: Exceeding the weight capacity can result in serious personal injury or damage to equipment! It is the installer's responsibility to make sure the combined weight of all components attached to the entire AS3LD mounting system does not exceed 240 lbs (108.8 kg) TOTAL. The maximum that can be installed onto interface brackets is 200 lbs (90.7 kg). Each individual storage panel has a maximum weight capacity of 20 lbs (9.07 kg).



WARNING: Use this mounting system only for its intended use as described in these instructions. Do not use attachments not recommended by the manufacturer.



WARNING: Never operate this mounting system if it is damaged. Return the mounting system to a service center for examination and repair.

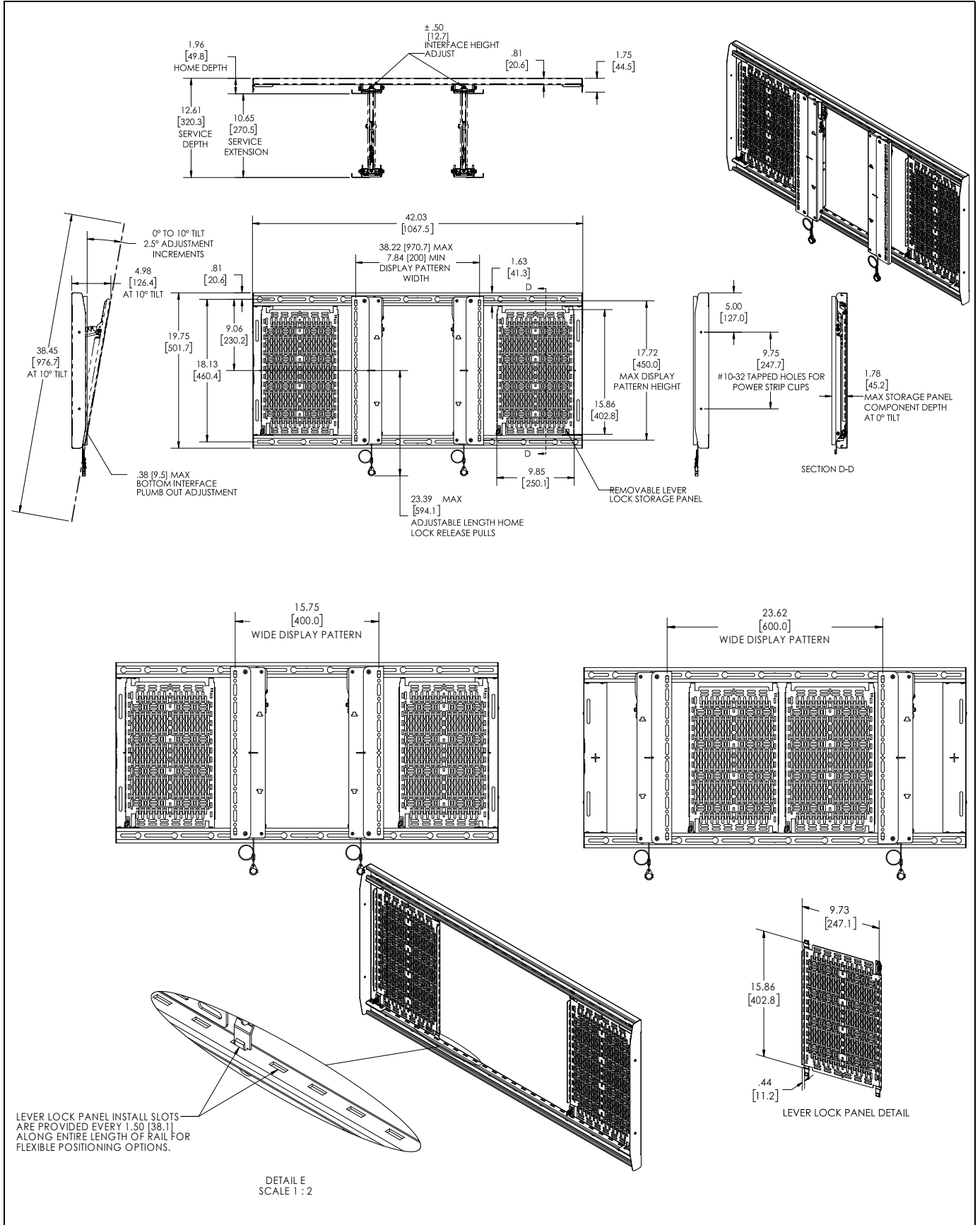


WARNING: This system has no user serviceable parts.

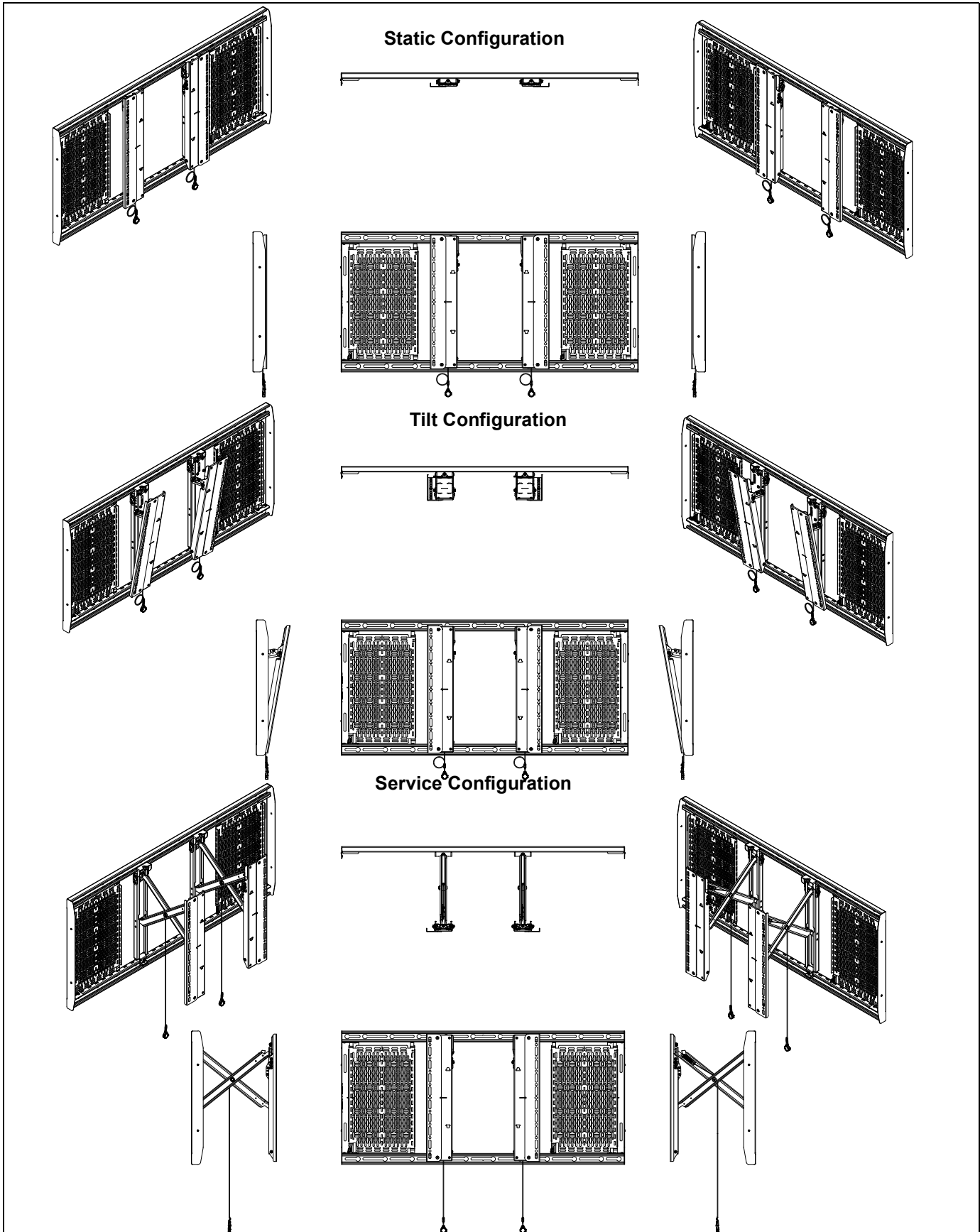
IMPORTANT ! : The AS3LD is designed to be mounted to:

- a bare 8" thick solid concrete or 8"x8"x16" concrete block wall. Fasteners must be placed a minimum of 16" (406mm) and a maximum of 24" (610mm) apart **AND** within 9" (230mm) of each end of the rail/strut channel.
- a 3/4" minimum thickness plywood-backed, steel stud wall covered with drywall having a maximum thickness of 5/8"
- a 16" on center 2" x 4" wood stud or 25 ga minimum steel stud wall covered with drywall having a maximum thickness of 5/8" and minimum of 1/2". Fasteners must connect to at least two studs and three studs when possible.
-
-
- a 24" on-center 2" x 4" wood stud wall covered with drywall having a maximum thickness of 5/8" and a minimum of 1/2". Wall rails must be centered on the two supporting studs.

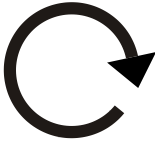

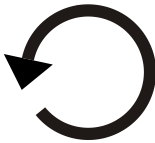









DIMENSIONS



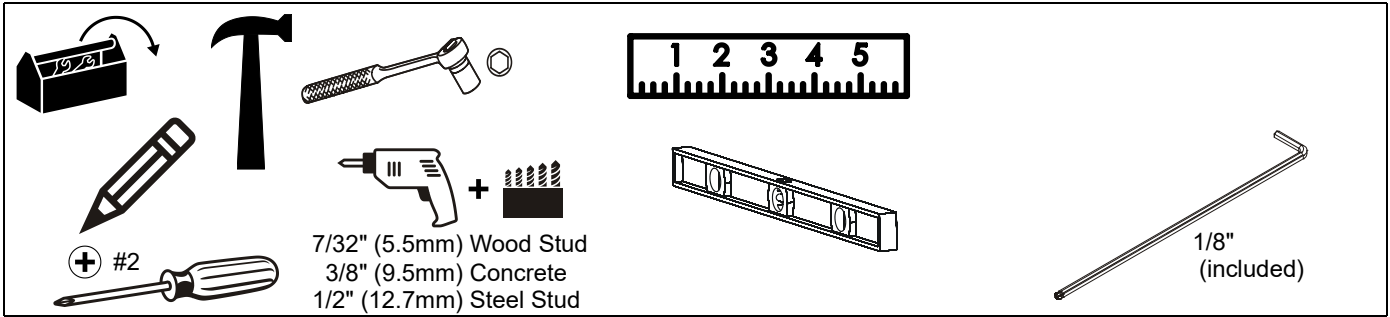
DIMENSIONS (CONTINUED)



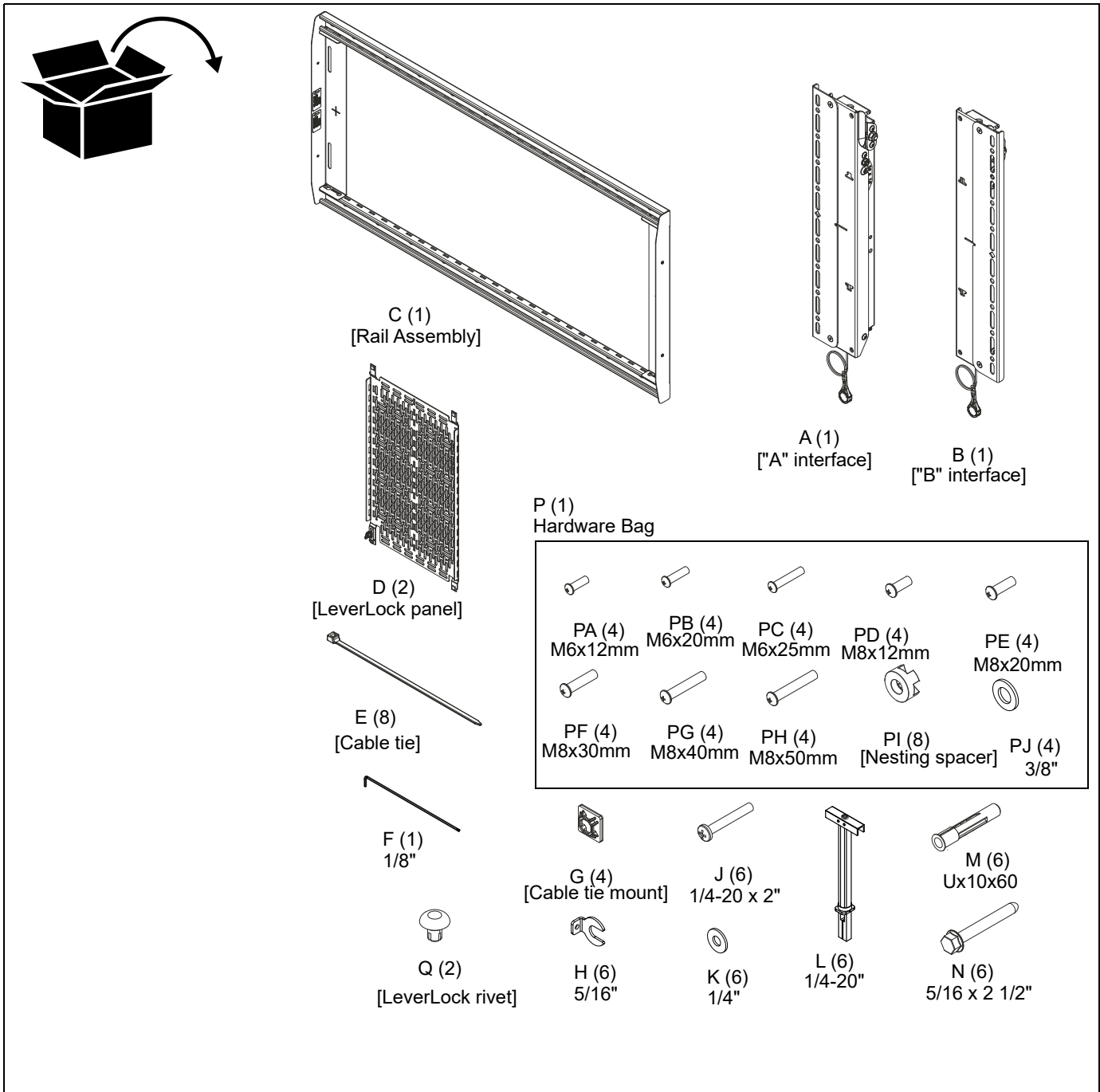
LEGEND

	Tighten Fastener Apretar elemento de fijación Befestigungsteil festziehen Apertar fixador Serrare il fissaggio Bevestiging vastdraaien Serrez les fixations		Pencil Mark Marcar con lápiz Stiftmarkierung Marcar com lápis Segno a matita Potloodmerkteken Marquage au crayon
	Loosen Fastener Aflojar elemento de fijación Befestigungsteil lösen Desapertar fixador Allentare il fissaggio Bevestiging losdraaien Desserrez les fixations		Drill Hole Perforar Bohrloch Fazer furo Praticare un foro Gat boren Percez un trou
	Phillips Screwdriver Destornillador Phillips Kreuzschlitzschraubendreher Chave de fendas Phillips Cacciavite a stella Kruijskopschroevendraaier Tournevis à pointe cruciforme		Adjust Ajustar Einstellen Ajustar Regolare Afstellen Ajuster
	Open-Ended Wrench Llave de boca Gabelschlüssel Chave de bocas Chiave a punte aperte Steeksleutel Clé à fourche		Remove Quitar Entfernen Remover Rimuovere Verwijderen Retirez
	By Hand A mano Von Hand Com a mão A mano Met de hand À la main		Optional Opcional Optional Opcional Opzionale Optie En option
	Hex-Head Wrench Llave de cabeza hexagonal Sechskantschlüssel Chave de cabeça sextavada Chiave esagonale Zeskantsleutel Clé à tête hexagonale		Security Wrench Llave de seguridad Sicherheitsschlüssel Chave de segurança Chiave di sicurezza Veiligheidssleutel Clé de sécurité

TOOLS REQUIRED FOR INSTALLATION



PARTS



Assembly And Installation

INSTALLATION

The AS3LD mounts are designed to be mounted to a bare 8" thick concrete, 8"x8"x16" concrete block; or 2" x 4" wood/metal studs wall covered by drywall with thickness between 1/2" (min) and 5/8" (max) or plywood-backed steel studs covered with drywall. Preferred installation is over three studs. If only two studs is possible, the mount MUST be centered mount over two studs!

Locate Mounting Site

IMPROPER INSTALLATION CAN LEAD TO MOUNT FALLING CAUSING SEVERE PERSONAL INJURY OR DAMAGE TO EQUIPMENT! It is the installers responsibility to make certain the structure to which the mount is being attached is capable of supporting five times the combined weight of all components located on the mount, not to exceed 240 lbs (108.8 kg) TOTAL. See Graphic on Page 2 for more specific details.

NOTE: Proceed to either the **Installing to a Wood Stud Wall, Steel Stud (no plywood-backing), Plywood-backed Steel Stud** or the **Installing to a Concrete Wall** section.

Steel Stud Wall (no plywood-backing)



WARNING: IMPROPER INSTALLATION CAN LEAD TO EQUIPMENT FALLING CAUSING SERIOUS PERSONAL INJURY OR DAMAGE TO EQUIPMENT! The figure below identifies the minimum requirements for installation of display mounts onto a steel stud structure. If the structure or its components do not meet these requirements contact the mount manufacturer for specific instructions before attempting installation. It should also be noted that no other equipment should be mounted to the same stud.

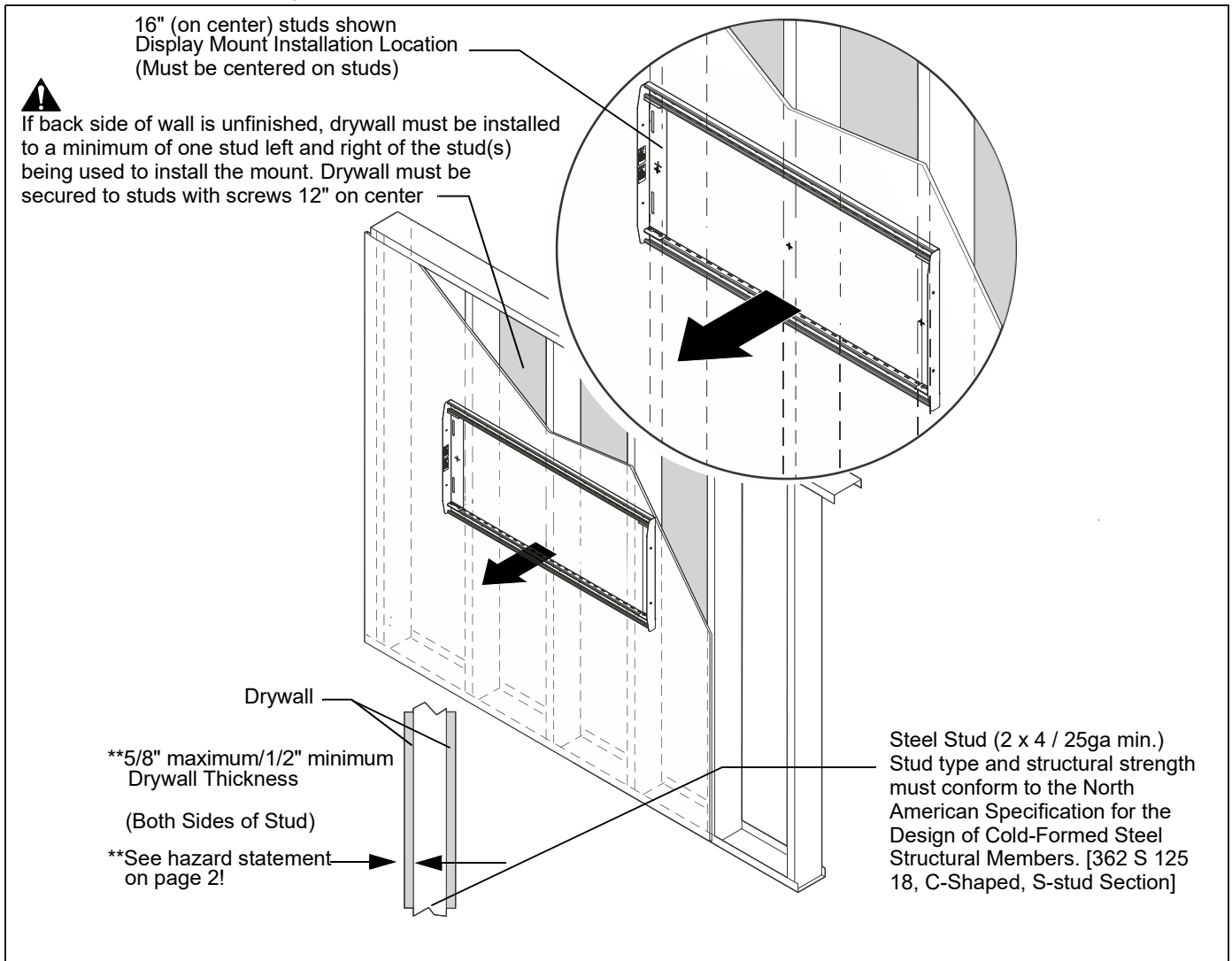


Figure 1

1. Determine the center of the TV screen, and where it should be located on the wall.
2. Locate the closest stud to the center of the TV screen, then locate the closest stud to the left and/or right of the selected location. When installing to 16" studs, it is required, when possible, to mount to three studs.
3. Line up the slots on rail assembly (C) with the two or three studs previously identified. (See Figure 2)

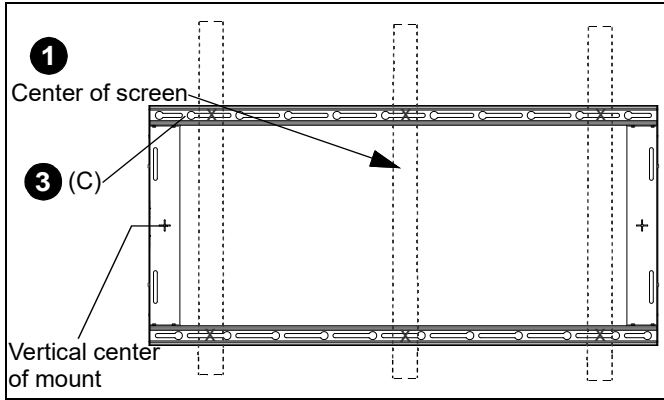


Figure 2

4. Using a level, mark the wall on each stud to attach the mount through the mounting slots. (See Figure 6)
5. Drill four or six 1/2" (12.7mm) pilot holes (one in each stud) at the site of the upper and lower mounting holes. (See Figure 3) and (See Figure 6)
6. Hold metal channel on anchor (L) flat alongside plastic straps and slide channel through hole. (See Figure 3)

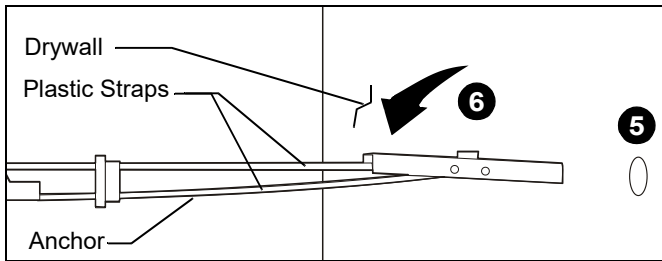


Figure 3

7. Holding plastic straps on anchor (L), pull anchor away from wall until channel rests flush behind wall making sure anchor channel is positioned vertically on stud. (See Figure 4)
8. Slide plastic cap on anchor towards wall until flange of cap is flush with wall. (See Figure 4)

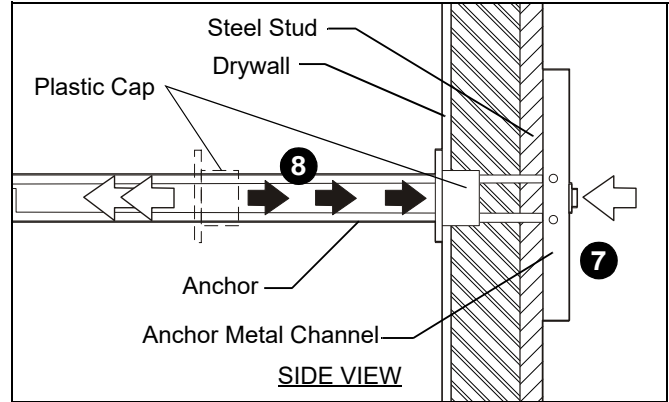


Figure 4

9. Snap off plastic straps on anchor (L) at wall by pushing side to side, snapping off straps level with flange of plastic cap. (See Figure 5)
10. Repeat Steps 6 through 9 for each mounting hole.

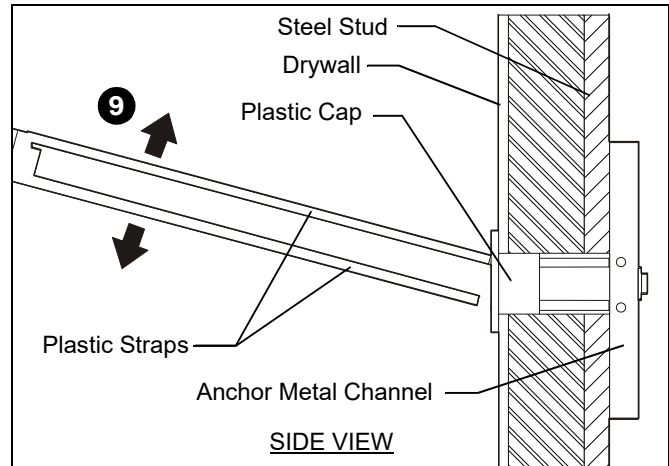


Figure 5

11. Partially install two or three 1/4-20 x 2" Phillips pan machine screws (J) and two or three 1/4" washers (K) into anchors (L) but do not tighten to wall. (See Figure 6)

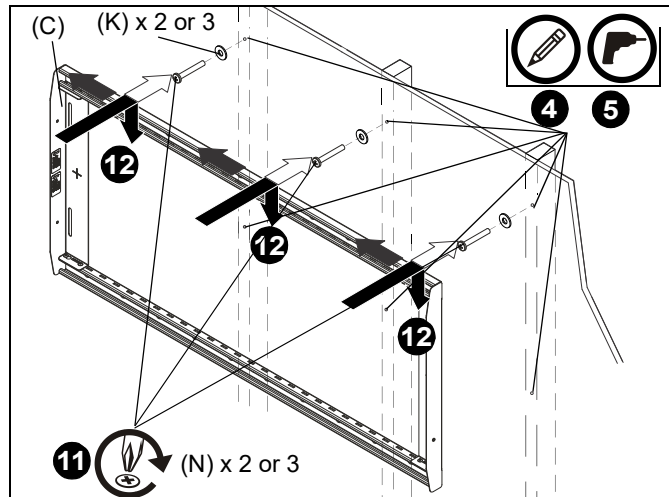


Figure 6

- Hang rail assembly (C) and slide it slightly to the left until screws (J) are clear of keyhole slots and able to hold mount to wall. (See Figure 6) and (See Figure 7)

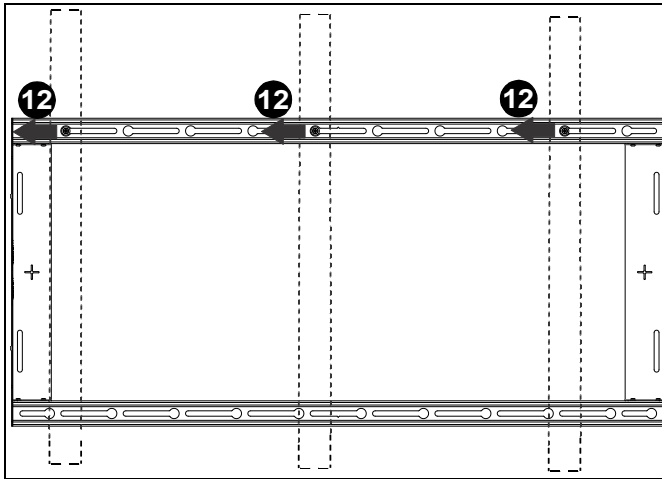


Figure 7

- Tighten screws (J) to secure rail assembly (C) to wall at upper mounting slots. (See Figure 8)



WARNING: IMPROPER INSTALLATION CAN LEAD TO EQUIPMENT FALLING CAUSING SERIOUS PERSONAL INJURY OR DAMAGE TO EQUIPMENT! Overtightening of mounting hardware can damage the steel studs. DO NOT overtighten mounting hardware!

- Use two or three 1/4-20 x 2" Phillips pan machine screws (J) and two or three 1/4" washers (K) to attach the mount to the wall through the lower mounting holes. (See Figure 8)

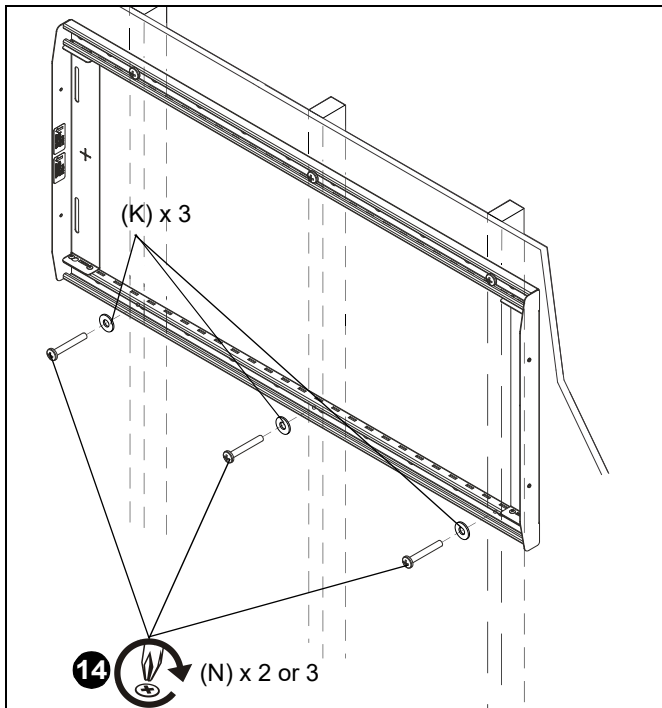


Figure 8

- Proceed to **Attaching Interface Brackets to Screen** section.

Installing to a Wood Stud Wall

- Determine the center of the TV screen, and where it should be located on the wall.
- Locate the closest stud to the center of the TV screen, then locate the closest stud to the left and/or right of the selected location. If installing to 16" studs, it is preferable to mount to three studs. If installing to 24" studs, it is only possible to mount to two studs and two additional toggle anchors need to be used on the outside rail holes. (See Figure 9)
- Line up the slots on rail assembly (C) with the two or three studs previously identified. (See Figure 9)

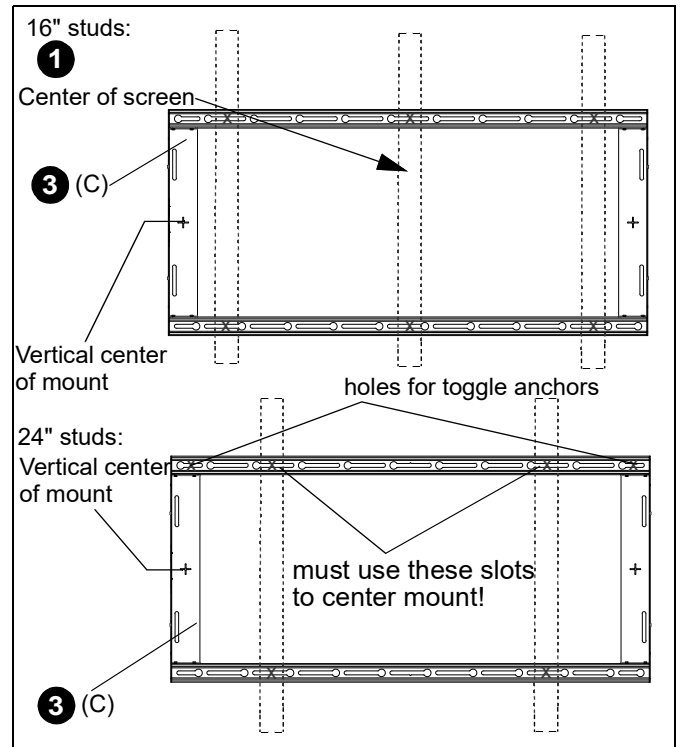


Figure 9

4. Using a level, mark the wall on each stud to attach the mount through the mounting slots. (See Figure 10) or (See Figure 11)
5. Drill four or six 7/32" (5.5mm) pilot holes (one in each stud) at the site of the upper and lower mounting holes. (See Figure 10) or (See Figure 11)
6. **(24" studs only)** Drill two 1/2" (12.7mm) pilot holes at outside locations marked for additional two holes. Install toggle anchors (L) into these holes following Steps 6-9 in **Installing to Steel Stud Section**. (See Figure 11)
7. Partially install two 5/16 x 2-1/2" flanged lag bolts (N) into upper pilot holes but do not tighten to wall. (See Figure 10) or (See Figure 11)

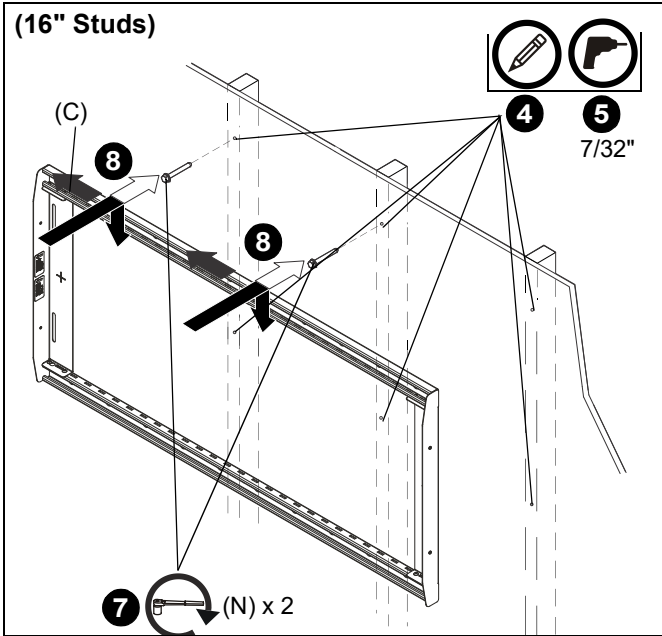


Figure 10

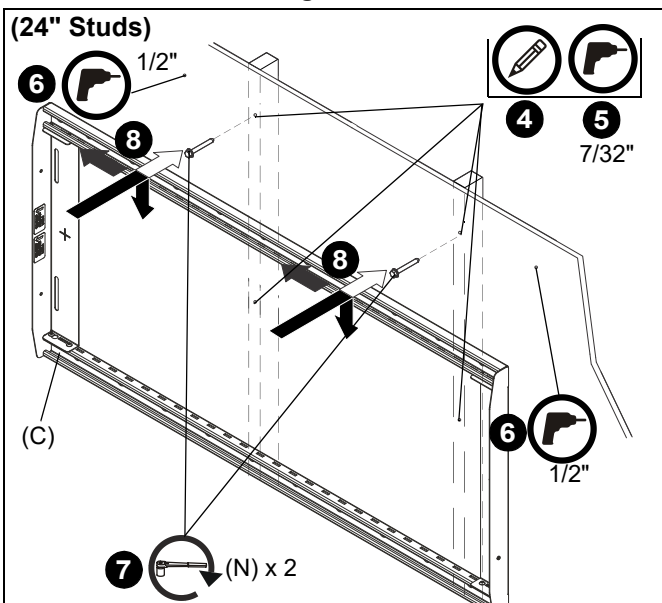


Figure 11

8. Hang rail assembly (C) and slide slightly to the left until bolts (N) are clear of keyhole slots and able to hold mount to wall. (See Figure 10) or (See Figure 11) and (See Figure 12)

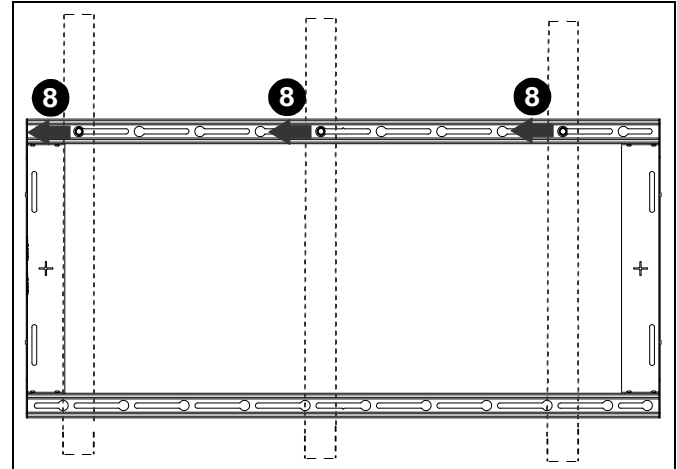


Figure 12

9. Place one slotted washer (H) over each flanged lag bolt. (See Figure 13)
10. Tighten lag bolts to secure rail assembly (C) to wall at upper mounting slots. If installing over three studs, install third 5/16 x 2-1/2" flanged lag bolt (N) into upper right mounting hole with 5/16" slotted washer (H). (See Figure 13)
11. Use two 5/16 x 2-1/2" flanged lag bolts (N) and two 5/16" slotted washers (H) to attach the mount to the wall through the lower mounting holes. (See Figure 13)

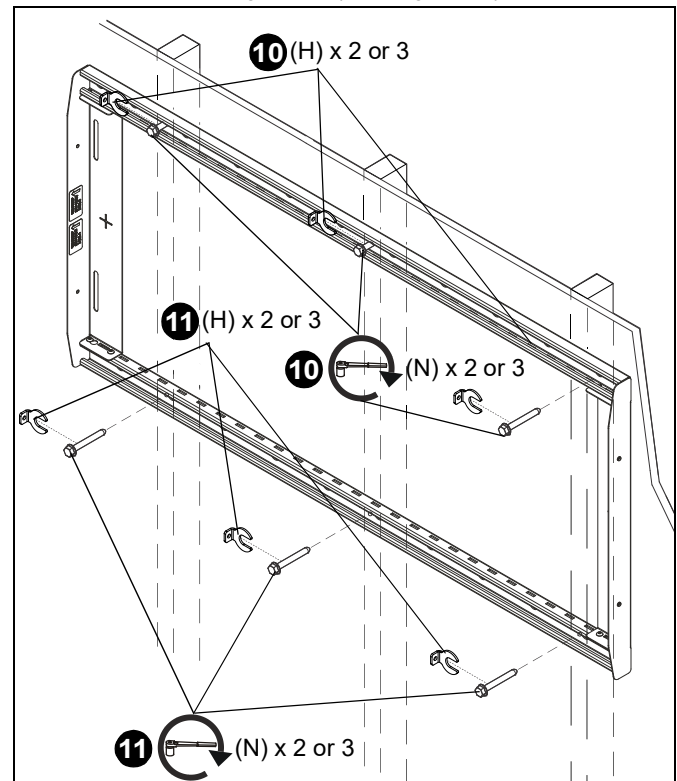


Figure 13

12. **(24" Studs only)** Install two 1/4-20 x 2" Phillips pan machine screws (J) and two 1/4" washers (K) into anchors (L) installed in Step 7.
13. Proceed to **Attaching Interface Brackets to Screen** section.

Installing to a Concrete Wall

IMPORTANT ! : The AS3LD is designed to be mounted to a bare 8" thick solid concrete or 8"x8"x16" concrete block wall. Fasteners must be placed a minimum of 16" (406mm) and a maximum of 24" (610mm) apart **AND** within 9" (230mm) of each end of the rail/strut channel.

1. Determine the center of the TV screen, and where it should be located on the wall.



CAUTION: MINIMUM HORIZONTAL DISTANCE BETWEEN MOUNTING HOLES IS 16" (406mm). Do not drill mounting holes closer together than 16" (406mm).

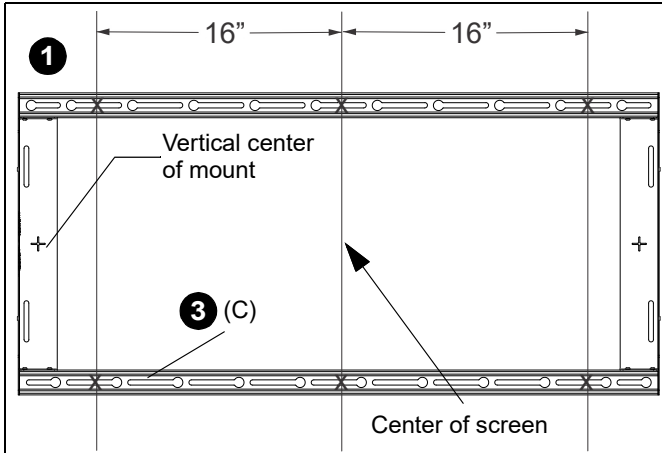


Figure 14

2. Using a level, mark the wall at mounting hole locations at least 16" apart from each other. (See Figure 14)
3. Drill six 3/8" (9.5mm) pilot holes at the site of the upper and lower mounting holes.
4. Use a hammer to install six concrete anchors (M) into drilled holes. (See Figure 15)
5. Partially install three 5/16 x 2-1/2" flanged lag bolts (N) into upper anchors but do not tighten to wall. (See Figure 15)

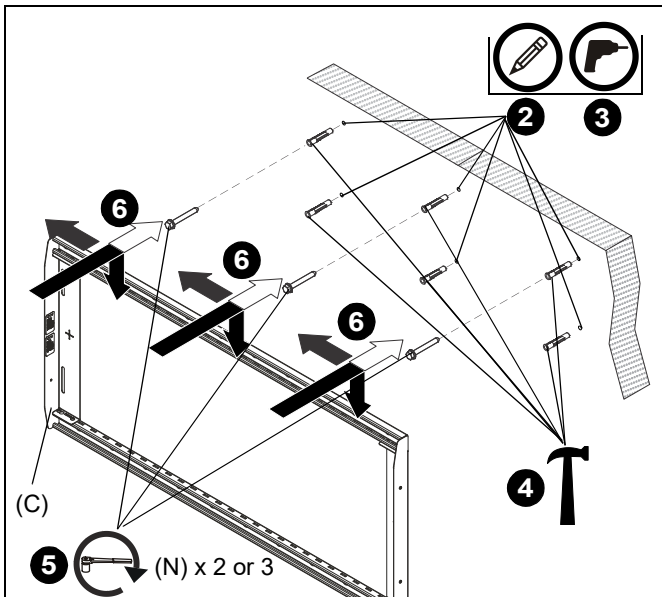


Figure 15

6. Hang rail assembly (C) and slide slightly to the left until bolts (N) are clear of keyhole slots and able to hold mount to wall. (See Figure 15) and (See Figure 16)

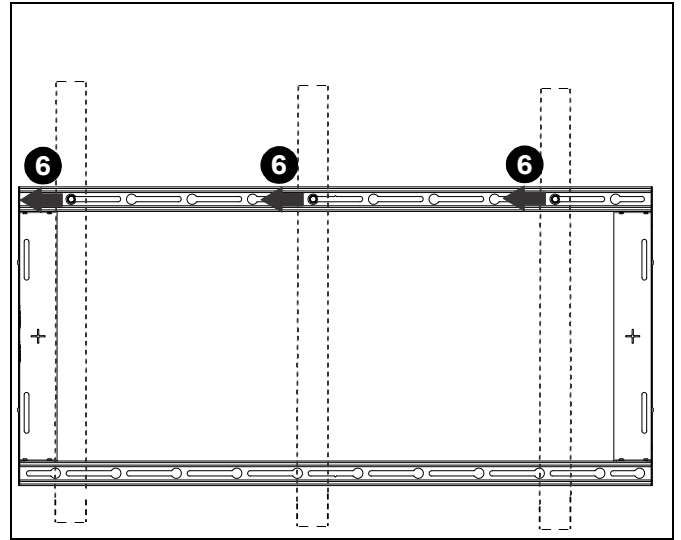


Figure 16

7. Place one slotted washer (H) over each flanged lag bolt. (See Figure 17)
8. Tighten lag bolts to secure rail assembly (C) to wall at upper mounting slots. (See Figure 17)
9. Use three 5/16 x 2-1/2" flanged lag bolts (N) and three 5/16" slotted washers (H) to attach the mount to the wall through the lower mounting holes. (See Figure 17)

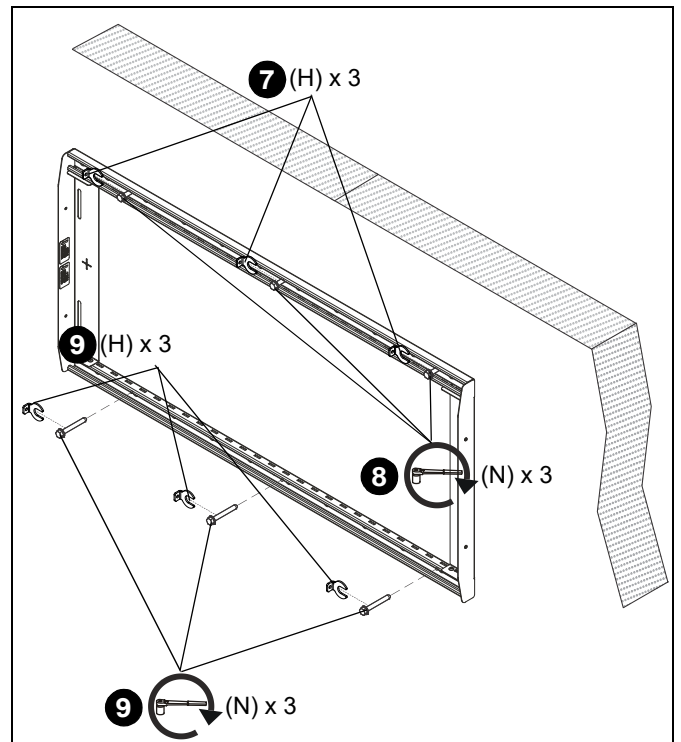


Figure 17

Plywood-Backed Steel Stud

⚠ WARNING: IMPROPER INSTALLATION CAN LEAD TO EQUIPMENT FALLING CAUSING SERIOUS PERSONAL INJURY OR DAMAGE TO EQUIPMENT! The figure below identifies the minimum requirements for installation of display mounts onto a steel stud structure. If the structure or its components do not meet these requirements contact the mount manufacturer for specific instructions before attempting installation. It should also be noted that no other equipment should be mounted to the same stud.

⚠ If back side of wall is unfinished, drywall must be installed to a minimum of one stud left and right of the stud(s) being used to install the mount. Drywall must be secured to studs with screws a maximum of 12" (305mm) apart down center of stud.

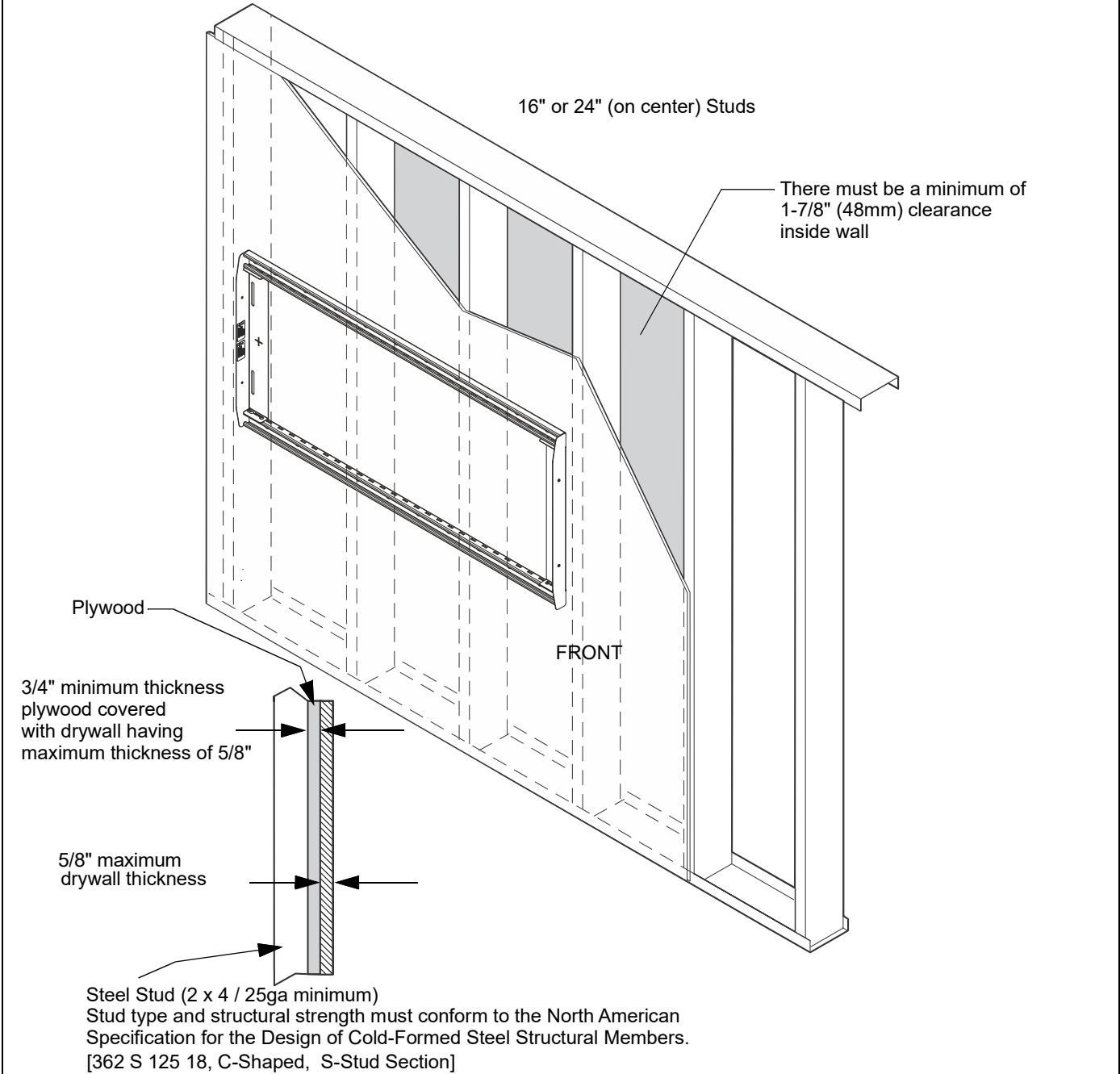


Figure 18

1. Determine the center of the TV screen, and where it should be located on the wall.

IMPORTANT ! : When installing mount to plywood-backed steel studs, four screws **MUST** be used on top rail and two on the bottom rail. Top screws **MUST NOT** be spaced further than 15" apart!

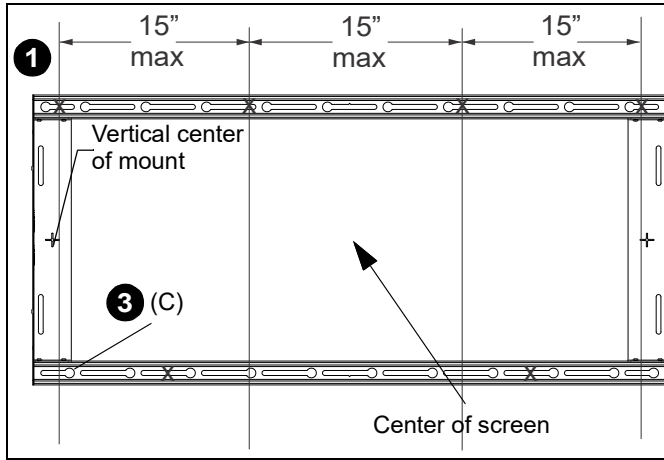


Figure 19

2. Using a level, mark the wall at four upper mounting hole locations at least 15" apart from each other. Mark two lower holes at locations shown in Figure 18. (See Figure 19)
3. Drill six 7/32" (5.5mm) pilot holes at the site of the upper and lower mounting holes.
4. Partially install two 5/16 x 2-1/2" flanged lag bolts (N) into outside upper holes but do not tighten to wall. (See Figure 20)

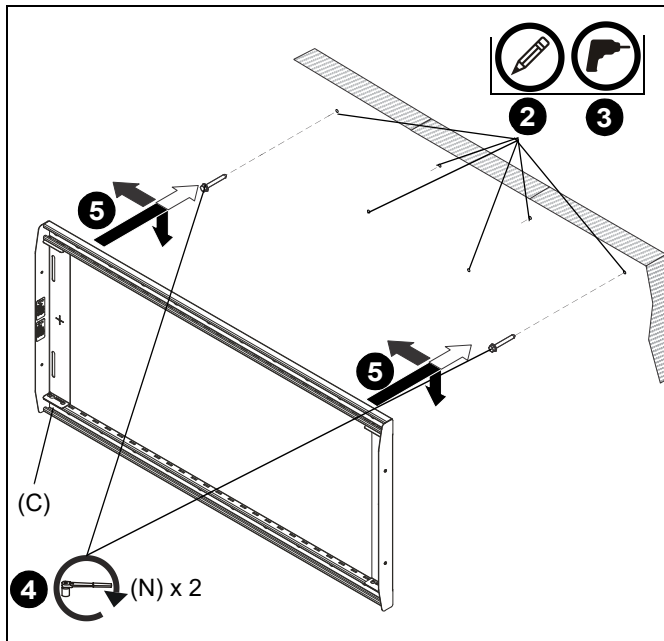


Figure 20

5. Hang rail assembly (C) and slide slightly to the left until bolts (N) are clear of keyhole slots and able to hold mount to wall. (See Figure 20) and (See Figure 21)

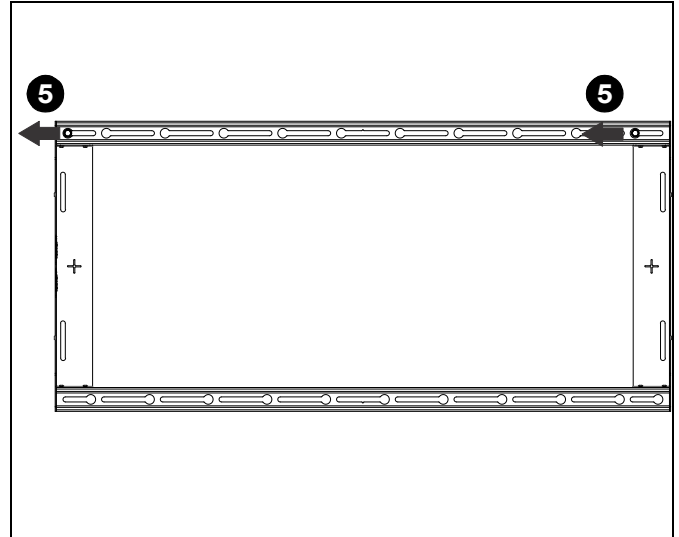


Figure 21

6. Place one slotted washer (H) over each flanged lag bolt. (See Figure 22)
7. Tighten lag bolts to secure rail assembly (C) to wall at upper mounting slots. (See Figure 22)
8. Use four 5/16 x 2-1/2" flanged lag bolts (N) and four 5/16" slotted washers (H) to attach the mount to the wall through remaining upper and lower mounting holes. (See Figure 22)

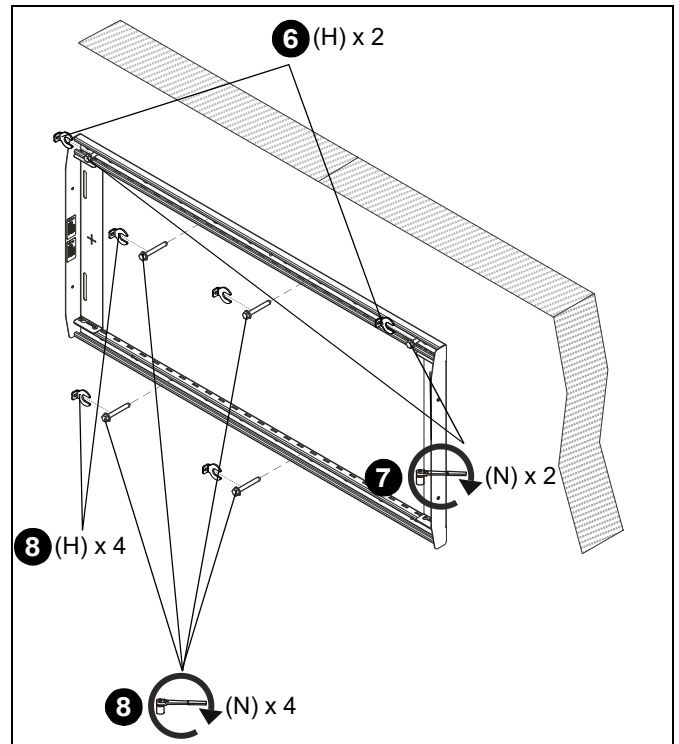


Figure 22

Attaching Interface Brackets to Screen

- Place displays face down on a soft, non-abrasive surface.



WARNING: IMPROPER INSTALLATION CAN LEAD TO DISPLAY FALLING CAUSING SERIOUS PERSONAL INJURY OR DAMAGE TO EQUIPMENT! Using screws of improper size may damage your display. Properly sized screws will easily and completely thread into display mounting holes. If spacers are required, be sure to use longer screws of the same diameter.

- Select screw *diameter* by examining hardware (PA-PC and PD-PH) (6mm or 8mm) and comparing with mounting holes on display. (See Figure 24)

- Select spacers:

NOTE: The nesting spacers (PI) may be used separately, or put two together in different configurations to create different size spacers. (See Figure 23)

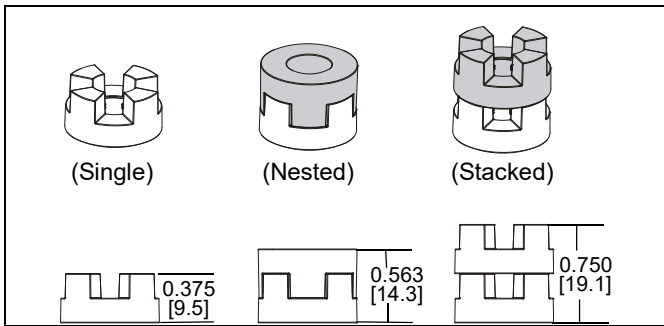


Figure 23

- Select screw *length*: (See Figure 24)
 - By hand, insert **SHORTEST** length screw of selected diameter (PA-PH) through 3/8" washer (PJ), bracket (A or B), nesting spacer (PI, if required), into display mounting hole. Do NOT thread screw into hole at this time.
 - Proper screw length requires base of screw head to protrude above flat washer (if flat washer is used) a *distance equal to or greater than the screw diameter*. If screw length is inadequate, select longer screw. Select *shortest* screw which will protrude the required distance.

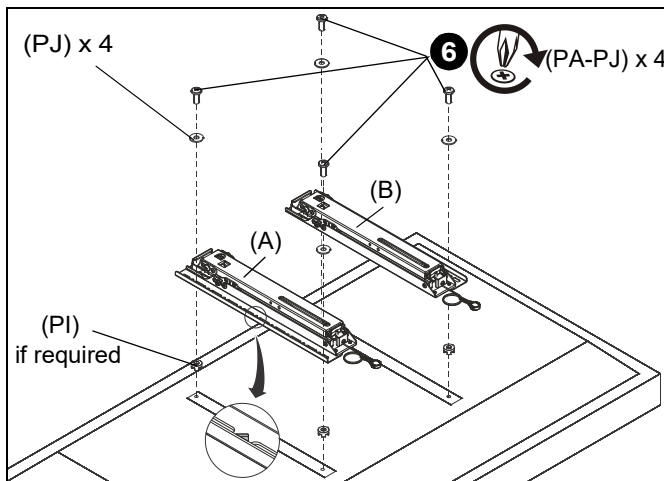


Figure 24

- Make sure diamond on interface brackets is even with center of display. (See Figure 24)
- Use selected screws (PA-PH), washers (PJ) and spacers (PI), if necessary, to connect interface brackets (A and B) to back of display. (See Figure 24)
- Adjust tilt as desired following instructions in **Tilt Adjustment Section**.
- Loosen two button head cap screws at bottom of each interface bracket (A and B) at least four turns. (See Figure 25)

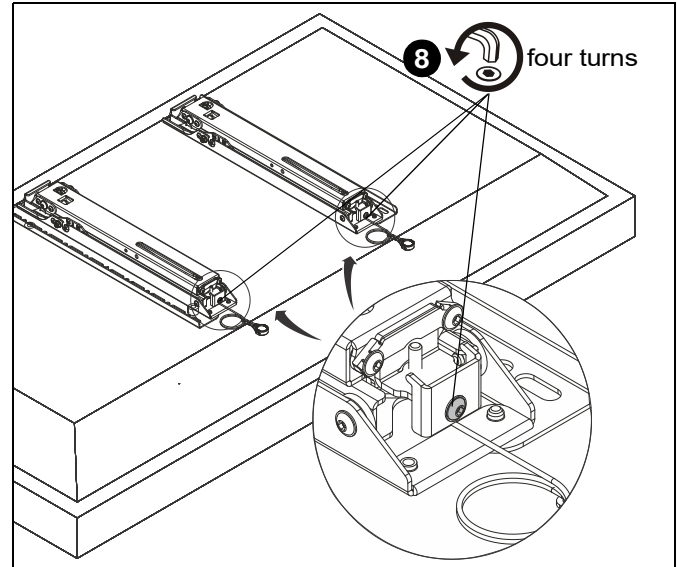


Figure 25

NOTE: Prior to installation, check to make sure height adjustment is centered.

- Lower home latch release cords on each interface bracket (A and B). (See Figure 26)
- Raise display with attached interface brackets and hook top of brackets into top of mount. (See Figure 26)
- Slide interface rail hooks under lower rail. (See Figure 26)

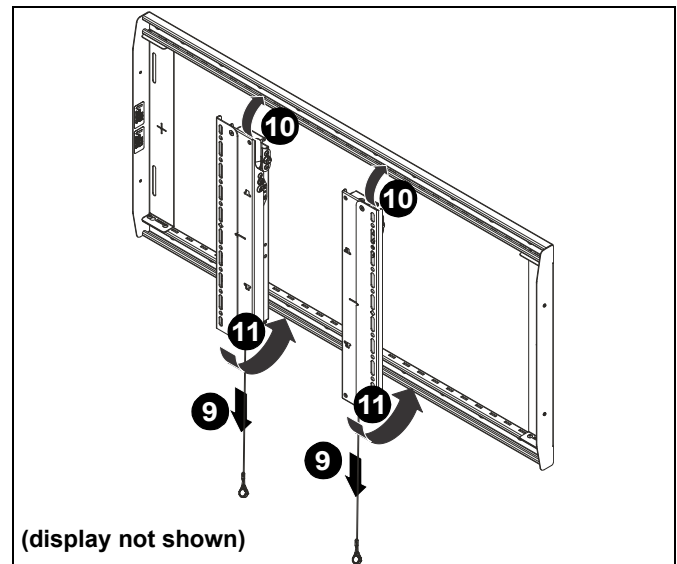


Figure 26

IMPORTANT ! : Make sure pull cords are free of mount and not trapped in the bottom rail hook bracket.

12. Tighten screws that were loosened in Step 8 until interface rail hook is secured under lower rail on both interface brackets. (See Figure 27)

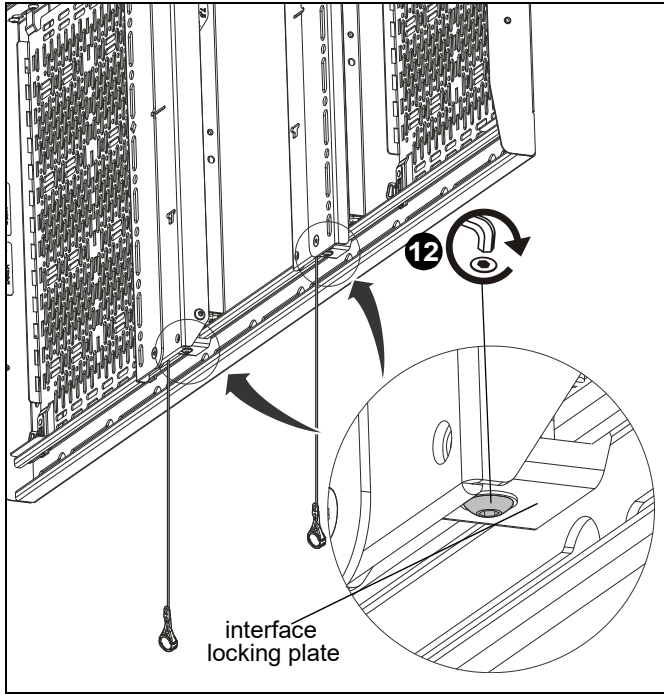


Figure 27

Lever Lock™ Shelves Installation

NOTE: Lever Lock™ shelves may remain installed when installing mount to wall.

IMPORTANT ! : Lever Lock™ may only be installed with the latch lever going down into the lower rail.

1. Slide Lever Lock™ backplanes (D) into slots on top side of rail assembly (C). (See Figure 28)
2. Slide Lever Lock™ backplanes (D) into slots on opposite side, making sure they "click" into place. (See Figure 28)

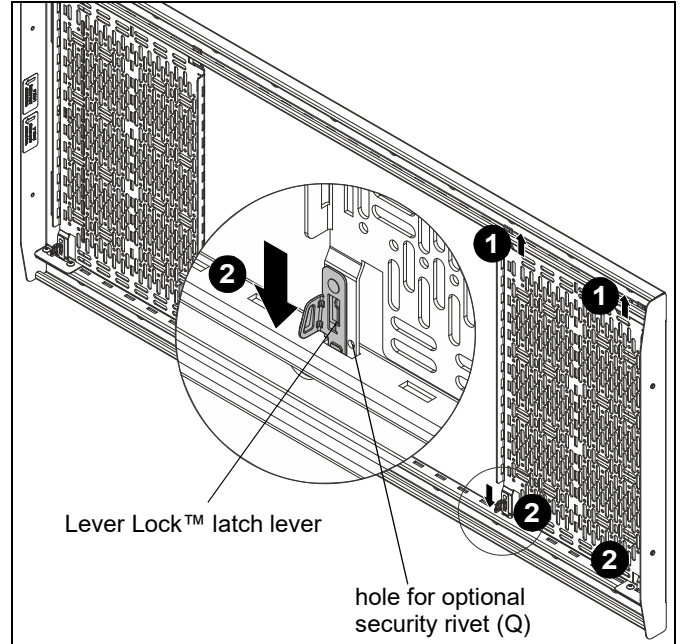


Figure 28

NOTE: LeverLock™ rivets (Q) may be used for security if desired. Install in holes shown in Figure 27.

NOTE: Lever Lock™ shelves (D) may be installed at anywhere horizontally onto rail assembly (C) depending on application or user preference. (See Figure 29)

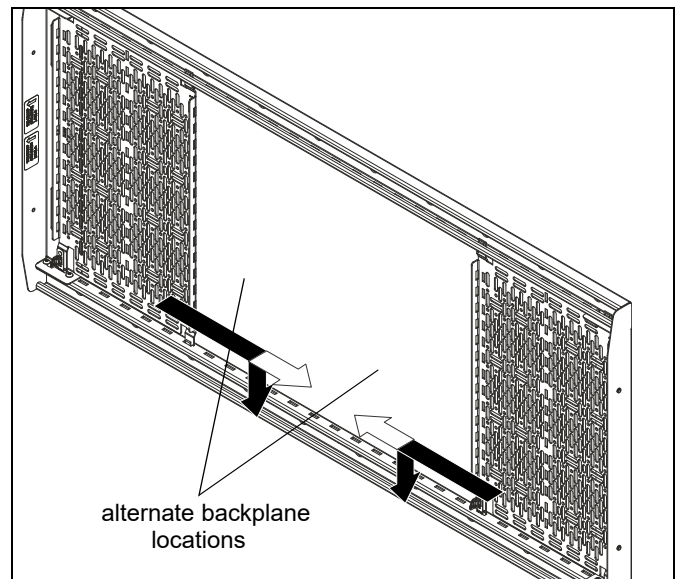


Figure 29

3. Attach components to Lever Lock™ backplanes following component manufacturer's instructions. Use cable ties (E) and cable tie clips (G) as needed to safely secure items to panels.

Adjustments

Tilt Adjustment

1. With display removed from mount, remove home tilt locking screws from interface brackets (A and B). (See Figure 30)

NOTE: Home tilt locking screws do not need to be removed if the display is not going to use the tilt feature.

2. Loosen tilt adjustment screws on interface brackets (A and B). (See Figure 30)

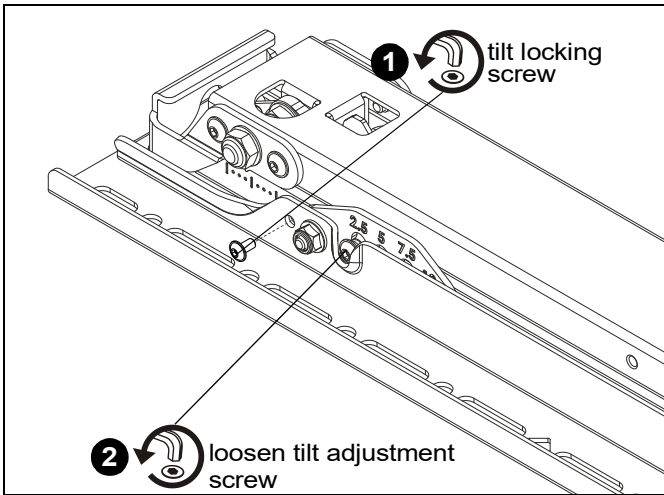


Figure 30

3. Adjust tilt to desired tilt angle. (See Figure 31)
4. Tighten tilt adjustment screws to lock tilt position. (See Figure 31)

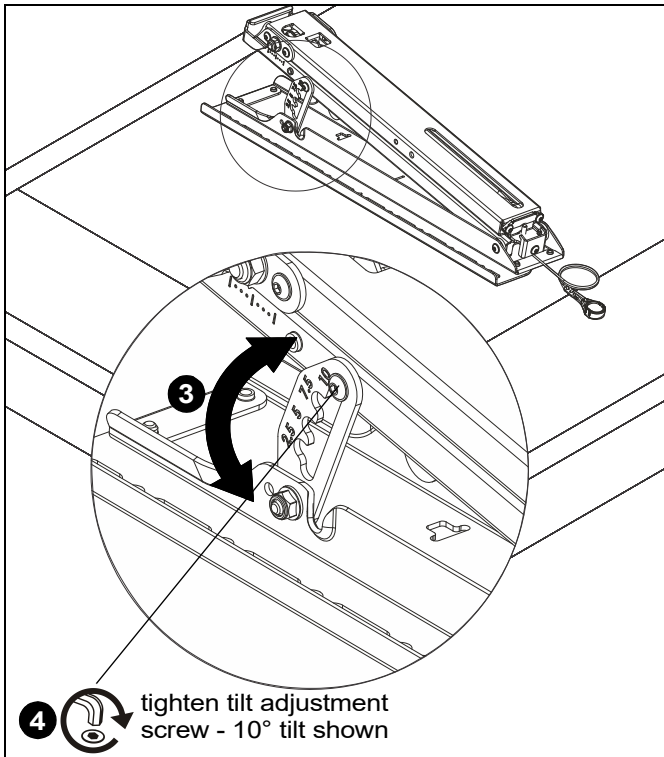


Figure 31

Plumb Adjustment

1. Adjust plumb adjustment screws to adjust plumb of each interface bracket (A and B). (See Figure 32)

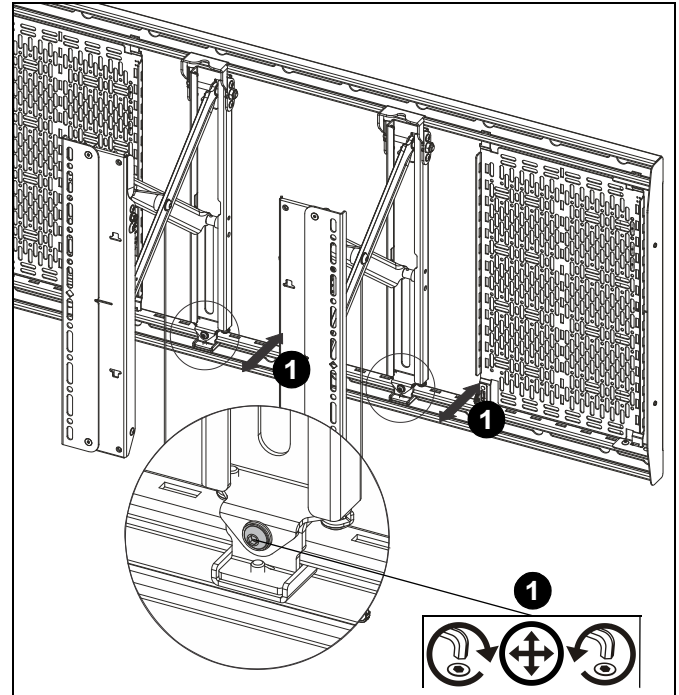


Figure 32

Micro Height Adjustment

1. Adjust micro height-adjustment screws to make minor adjustments to height of each interface bracket (A and B). (See Figure 33)

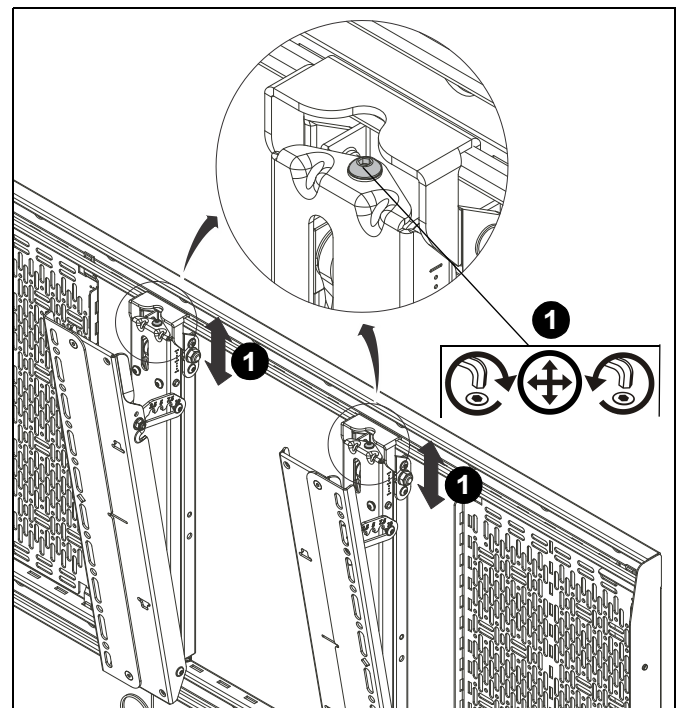
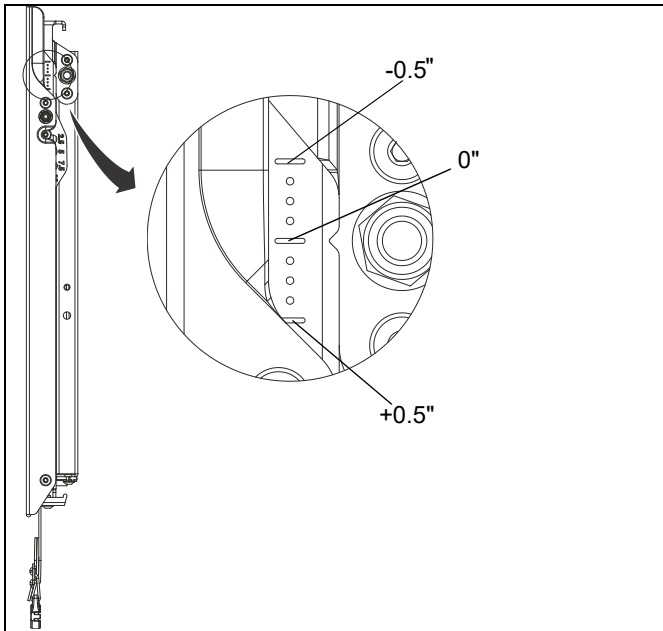


Figure 33

- Refer to height adjustment markings on side of each interface bracket (A and B) to check adjusted height of each bracket. (See Figure 33)



SERVICE

Extending and Retracting Mount

The mounts may be extended and retracted **only** for service or during installation.

- To Extend Mount:** Pull on the home latch release cords for both interface brackets (A and B). (See Figure 34)
- When the mount releases, carefully grasp bezel edges of display and pull out slowly.
- A Screwdriver or metal rod may be inserted through holes to lock brackets in service position. (See Figure 34)
- To Retract Mount:** Carefully push against display bezel edges, being careful to clear surrounding displays.
- Push display against mount until both latches click into the locked home position.

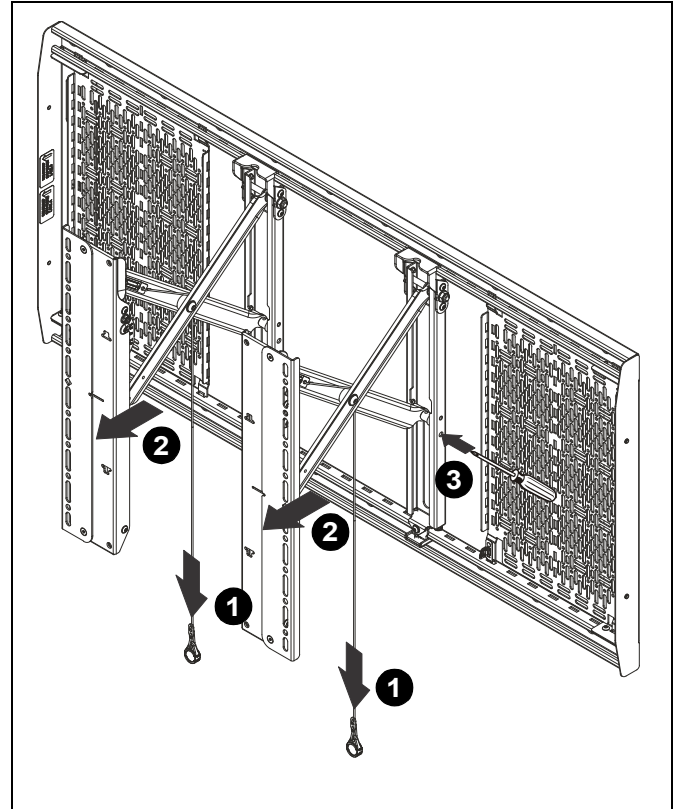


Figure 34

CHIEF®

A brand of  **legrand**

8800-003382 Rev01
©2023 Legrand | AV
www.legrandav.com
07/2023

USA/International	A 6436 City West Parkway, Eden Prairie, MN 55344
	P 800.582.6480 / 952.225.6000
	F 877.894.6918 / 952.894.6918
Europe	A Franklinstraat 14, 6003 DK Weert, Netherlands
	P +31 (0) 495 580 852
	F +31 (0) 495 580 845
Asia Pacific	A Office No. 918 on 9/F, Shatin Galleria 18-24 Shan Mei Street Fotan, Shatin, Hong Kong
	P 852 2145 4099
	F 852 2145 4477

