

TENSIONED ELPRO CONCEPT

Motorized projection screen for wall or ceiling installations

DA-LITE[®]
A brand of 



Product specifications:

- Electrically operated projection screen 230 volt (50Hz) with a usage of no more than 0.53 Ampere (121.9 Watt).
- The motor is mounted on the left side in the steel casing with rubber dampers to reduce sound.
- The motor is mounted inside the roller, 4 wire, 26 rotations per minute, maintenance free, integrated brake and thermal over-load cut-out.
- The 4 wire connection is integrated into the end cap and can be connected to the electric installation with the connector and standard cable.
- Suitable for wall or ceiling mounting with the supplied mounting brackets which can be positioned within 50cm of either side of the case.
- The leaf shaped steel casing (14,6 x 15,4cm) is galvanised on the inside and on the outside powder coated with a matte structure coating (RAL 9016).
- The white end caps close the casing on both ends. After removing the left end cap an Easy Connectivity plug is accessible for easy connecting of power and accessories.
- The triangular slat bar rolls into the case completely.
- The screen fabrics are flame retardant and seamless in the viewing area.
- Each side of the surface to have tab guide cable system to maintain even lateral tension and hold surface flat.
- Custom slat bar with added weight maintains vertical tension on the screen surface. The ends of the slat to be protected by heavy duty plastic caps enclosing a preset adjustable mechanism for screen tensioning.
- The projection fabrics have a black backing.
- Standard 3 position wall switch is supplied.
- The projection screen is CE marked and satisfies the strictest quality and safety requirements.
- Integrated RF receiver option: this version will have a 3 wire connection and will be supplied with a remote control.

Options:

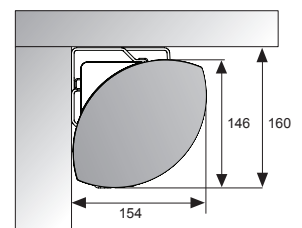
- RF - Radio frequency: Includes built-in radio frequency receiver, making it possible to operate the screen using the supplied remote control. Standard remote control is supplied when selected this option.

Aspect Ratios:

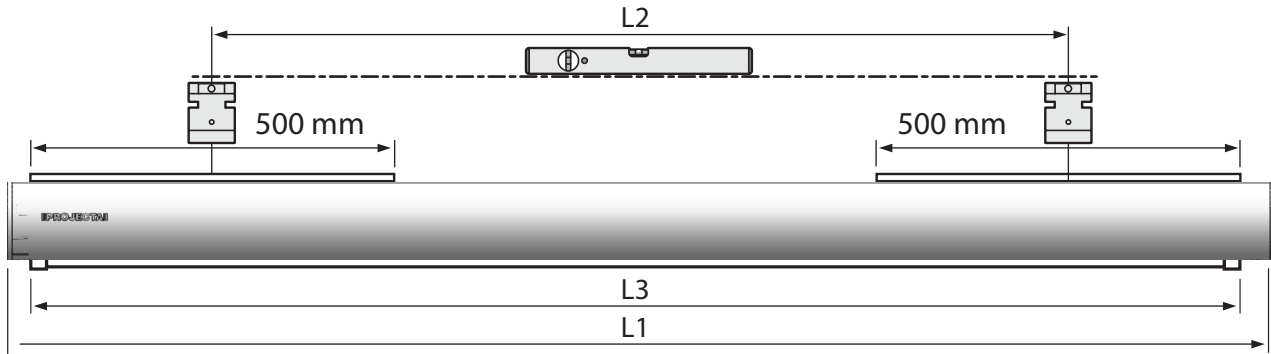


Available dimensions

Minimum width: 180 cm
Maximum width: 380 cm



TENSIONED ELPRO CONCEPT



		Viewing Area	Dimensions			Black drop	Net weight
		cm	L1 mm	L2 mm	L3 mm	cm	kg
16:10	129x200	119x190	2331	1765	2127	30	27
	141x220	131x210	2531	1965	2341	30	29
	154x240	144x230	2731	2165	2515	30	31
	179x280	169x270	3131	2565	2933	30	36
	191x300	181x290	3331	2765	3145	30	38
	204x320	194x310	3556	2990	3355	30	41
	216x340	206x330	3776	3210	3567	30	43
	228x360	218x350	3931	3365	3779	30	46
16:9	102x180	96x170	2131	1565	1903	30	25
	117x200	107x190	2331	1765	2113	30	27
	128x220	118x210	2531	1965	2325	30	29
	139x240	129x230	2731	2165	2539	30	31
	162x280	152x270	3131	2565	2967	30	35
	173x300	163x290	3331	2765	3181	30	38
	184x320	174x310	3556	2990	3397	30	40
	196x340	186x330	3776	3210	3615	30	43
4:3	207x360	197x350	3931	3365	3757	30	46
	218x380	208x370	4131	3565	3969	30	48
	138x180	127x170	2131	1565	1937	30	25
	153x200	143x190	2331	1765	2155	30	27
	168x220	158x210	2531	1965	2373	30	30
	183x240	173x230	2731	2165	2537	30	32
	213x280	203x270	3131	2565	2963	30	37
	228x300	218x290	3331	2765	3177	30	39
243x320	233x310	3556	2990	3393	30	42	
258x340	248x330	3776	3210	3609	30	44	

TENSIONED ELPRO CONCEPT

Available standard resolution projection surfaces
All screen surfaces are seamless in the viewing area.

Matte White

Gain: 1.0
Viewing Angle: 120°
Base material: Vinyl
Fire retardancy: 2
Black backing: Yes
Opacity rating: > 99 %
Seamless: Yes
GreenGuard certification: Yes

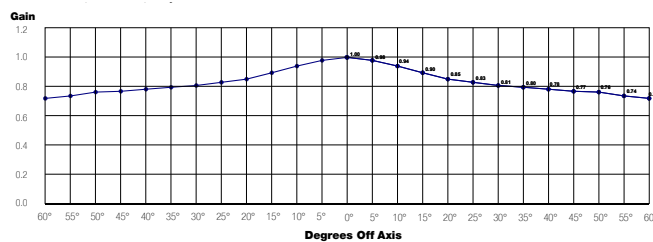


Standard: UL 2818 - 2013 Standard for Chemical Emissions for Building Materials, Finishes and Furnishings

Certification number

Greenguard - 5100-410

Greenguard Gold - 5100-420



Available perforated projection surfaces
All screen surfaces are seamless in the viewing area.

HD Progressive 1.1 Perf

Gain: 1.1
Viewing Angle: 170°
Base material: Vinyl
Fire retardancy: B2
Black backing: Yes
Opacity rating: > 99 %
Seamless: Yes
GreenGuard certification: Yes
Hole diameter: 0.7 mm
Open area: 8.65%

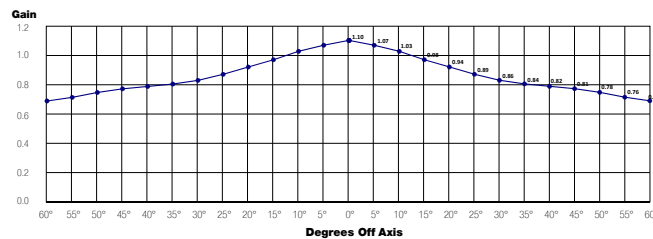


Standard: UL 2818 - 2013 Standard for Chemical Emissions for Building Materials, Finishes and Furnishings

Certification number

Greenguard - 11067-410

Greenguard Gold - 11067-420



TENSIONED ELPRO CONCEPT

DA-LITE
A brand of **legrand**

Available High Resolution projection surfaces
All screen surfaces are seamless in the viewing area.



HD Progressive 0.6

Gain: 0.6
Viewing Angle: 170°
Base material: Vinyl
Fire retardancy: B2
Black backing: Yes
Opacity rating: > 99 %
Seamless: Yes
GreenGuard certification: Yes

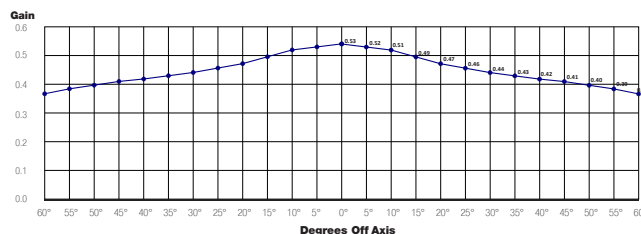


Standard: UL 2818 - 2013 Standard for Chemical Emissions for Building Materials, Finishes and Furnishings

Certification number

Greenguard - 11065-410

Greenguard Gold - 11065-420



HD Progressive 0.9

Gain: 0.9
Viewing Angle: 170°
Base material: Vinyl
Fire retardancy: B2
Black backing: Yes
Opacity rating: > 99 %
Seamless: Yes
GreenGuard certification: Yes

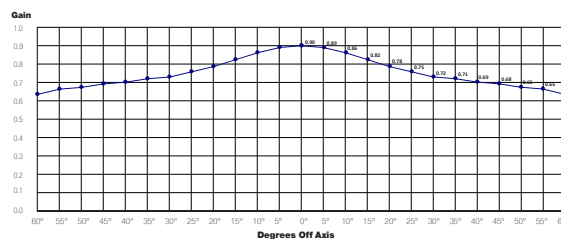


Standard: UL 2818 - 2013 Standard for Chemical Emissions for Building Materials, Finishes and Furnishings

Certification number

Greenguard - 11066-410

Greenguard Gold - 11066-420



HD Progressive 1.1

Gain: 1.1
Viewing Angle: 170°
Base material: Vinyl
Fire retardancy: B2
Black backing: Yes
Opacity rating: > 99 %
Seamless: Yes
GreenGuard certification: Yes

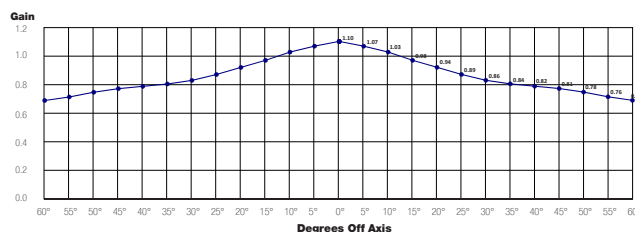


Standard: UL 2818 - 2013 Standard for Chemical Emissions for Building Materials, Finishes and Furnishings

Certification number

Greenguard - 11067-410

Greenguard Gold - 11067-420



HD Progressive 1.3

Gain: 1.3
Viewing Angle: 150°
Base material: Vinyl
Fire retardancy: B2
Black backing: Yes
Opacity rating: > 99 %
Seamless: Yes
GreenGuard certification: Yes

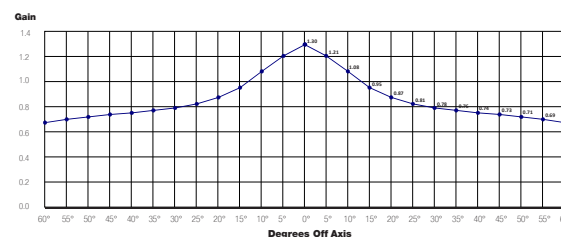


Standard: UL 2818 - 2013 Standard for Chemical Emissions for Building Materials, Finishes and Furnishings

Certification number

Greenguard - 42729-410

Greenguard Gold - 42729-420



Certifications

- Products are manufactured in an ISO14001 certified facility
- Projecta is an ISO 9001 certified company
- REACH - Registration, Evaluation, Authorisation and Restriction of Chemical substances.
- RoHS - Restriction of Hazardous Substances.
- WEEE - Waste Electronic and Electrical Equipment Regulations.



Customisation

Give exact the sizes of the projection screen you need:

Viewing size: _____ Height (cm.) x _____ width (cm.)

Surface: _____ Border top: _____ (cm.) Border bottom: _____ (cm.)

RAL color case and plastic parts: RAL _____

Motor positioned on right side

Screen fabric mounted reversely

Remarks: _____

TENSIONED ELPRO CONCEPT

Accessories - control options

For projection screens with a standard motor / delivered as standard with a wall switch

- All-in-One Control Box, which contains:
 - > Relay (dry contact)
 - > RF control, including remote control
 - > IR control, including remote control
 - > Manual switch
 - > 12v DC trigger
- Power Sensing Trigger (need All-in-One Box to function)
- Easy Install plug & play relaybox with potential free contacts
 - > Easy Install plug & play RS232/RS422 control kit
 - > Easy Install plug & play RS232/RS422 with IP control kit
- Keyswitch

For projection screens with an RF motor / delivered as standard with a remote control

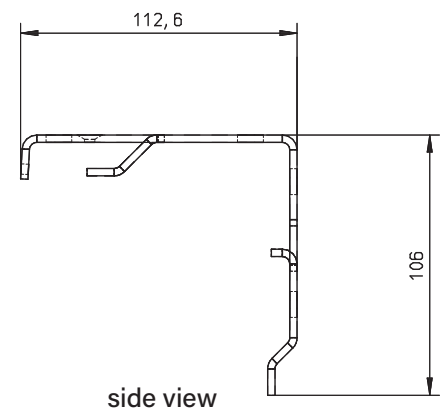
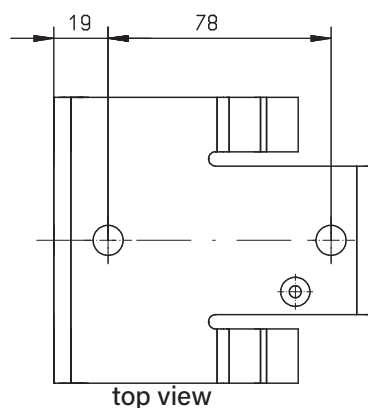
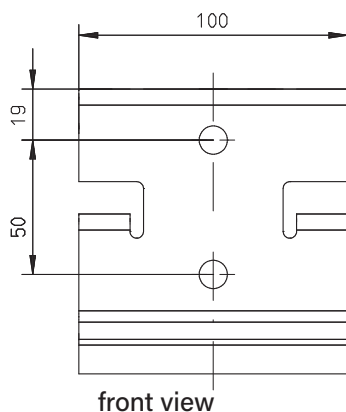
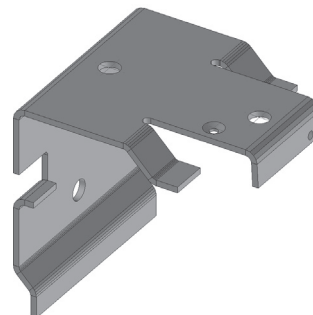
- RF wall-mounted transmitter (433,92 Mhz)
- 4-channel RF remote control (433,92 Mhz)

Accessories - installation

- Ceiling brackets (100 cm.)
- Set extension brackets (75 cm.)
- Set extension brackets (30 cm.)
- Set extension brackets (10 cm.)
- Bracket kit for easy mounting in soffit

Elpro Concept - mounting bracket included

(Dimensions in mm)



Warranty

Da-Lite provides a limited 5 year warranty on the Elpro Concept range and a limited 2 year warranty on all other products. The warranty on the motor of electrical screens is 5 year. All warranties are in effect beginning the date the product was invoiced by Da-Lite.