

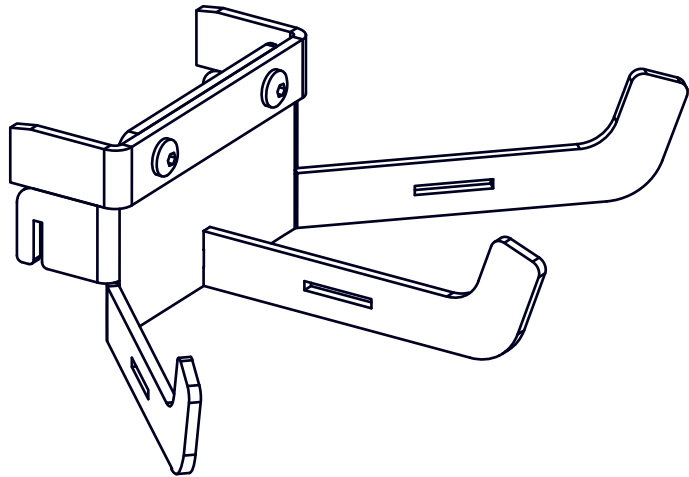
SMS X CABLE HOOK MOBILE

We reserve the right to change the design and technical data without prior notice.

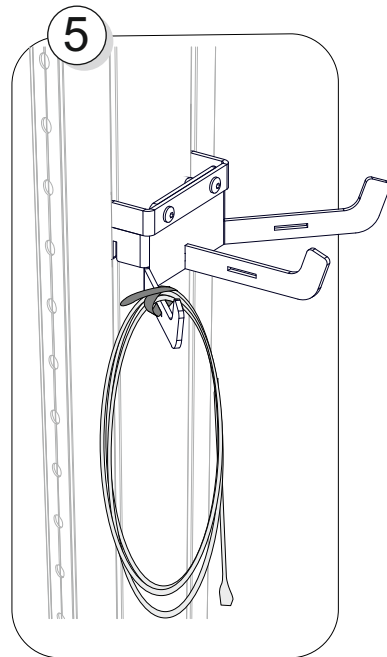
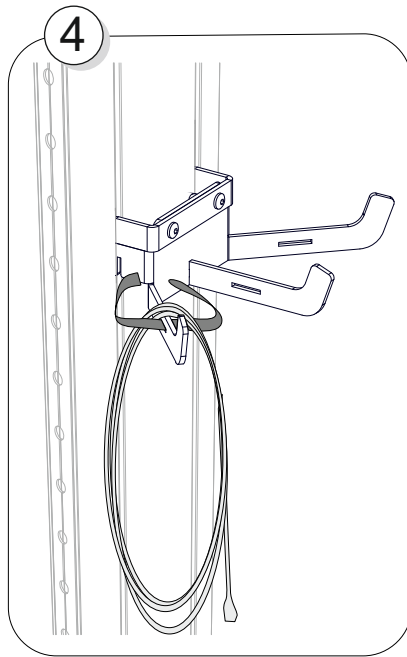
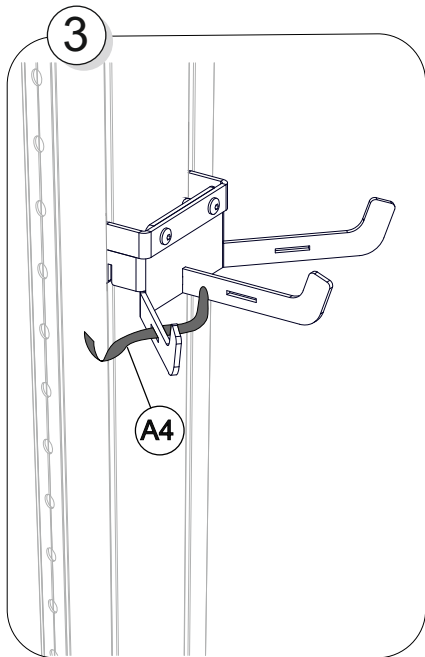
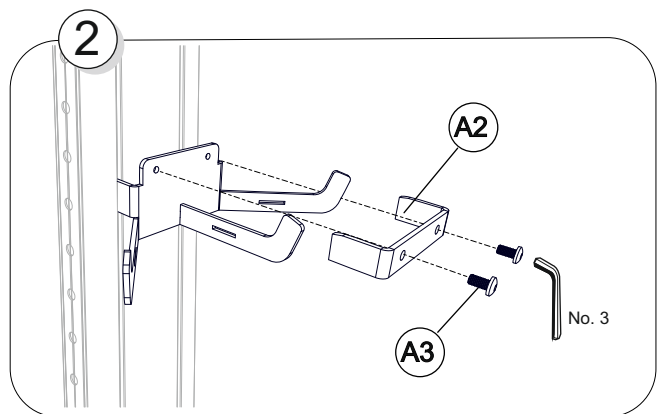
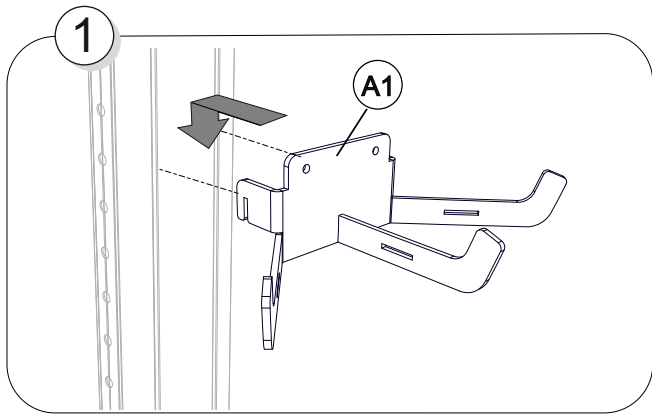
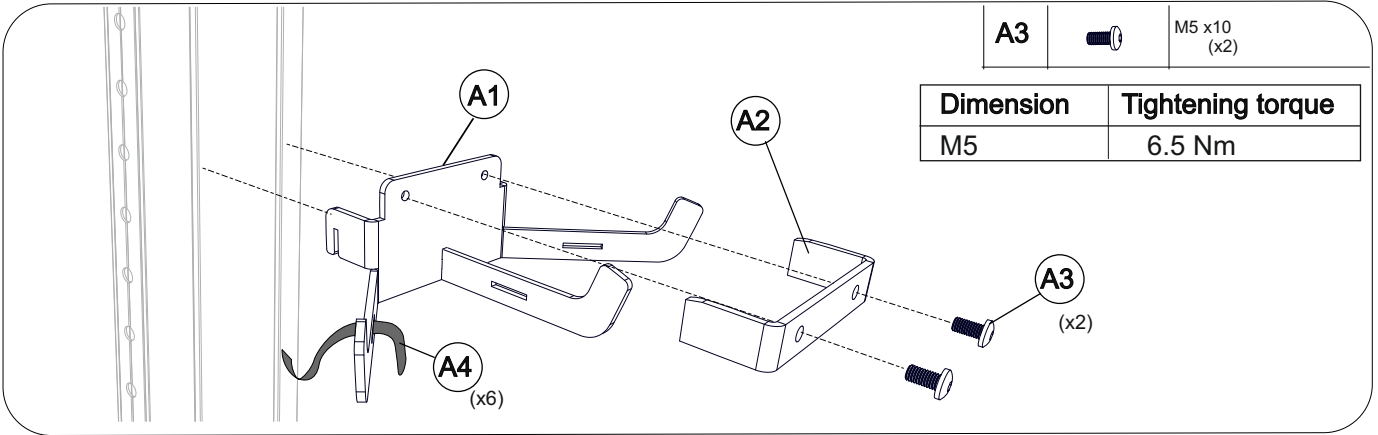
Original language: English

MANUAL

- GB** – Instructions for Mounting
- DE** – Montageinformation
- IT** – Istruzioni per il montaggio
- ES** – Instrucciones para el montaje
- FI** – Asennusohjeet
- FR** – Instructions de montage
- NL** – Montagevoorschriften
- PL** – Instrukcja montażu
- RUS** – Инструкция по монтажу
- ARB** – عربي - طريقة التركيب
- SE** – Monteringsinstruktion
- GR** – Πληροφορίες συναρμολόγησης



PD430001 / A002253 A



Doc. No. M000025-PD430001
2011-06-07
Rev.A