

# SMS PRESENCE

## VIDEO CONFERENCE MOTORIZED



### Bring your video conferencing to a new level.

A stable, patented, and at the same time elegant design. The unique design completely hides cables and peripherals inside the product. Attractive from all sides, thus able to be placed in the centre of the room. Perfect for large, heavy displays and touch-sensitive displays, due to the very stable design. A camera shelf is included.

The motorized height adjustment is soft and quiet, readily available from a button at the side of the unit, behind the displays. Motorized height adjustment works with both 110 and 220 V (all markets) and allows you to work ergonomically.

The pre-factory assembly means that installation is easy and quick, while the hidden cable chain inside the product ensures that the cables run freely with no risk of fastening.

The displays can also be locked with a padlock or the accompanying locking screw, which provides increased protection from theft and personal safety. Fine adjustment possibilities allows for edge-to-edge mounting of displays. The design is protected.

#### ▲ QUESTIONS AND ANSWERS:

##### How do I gain access to the cables and equipment inside the product?

– Removable magnetic covers on both the front and the back of the product make it easy to gain access to cables and other media equipment.

##### Is it difficult to move the bracket with a display mounted on it?

– It's easy. You can move the equipment easily and safely from one room to another with the aid of a handle.

#### ▲ INFO

**Finish:** Aluminium/Antracite Grey

**Maximum display weight:** 55 kg

Horizontal VESA: 200 – 800 mm

Vertical VESA: 100 – 400 mm

**Max width display:** see table in technical drawing

**Security:** The display can be locked with a locking screw (included) or padlock (not included) to increase personal safety and security from theft.

**Stroke:** 500 mm

Extensively factory-mounted for easy installation.

Easy to move, easy to assemble

Motorized up and down travel (100 och 220 V)

A handle for the product is supplied

**Dedicated area for cables and peripherals inside the product:** 550 (W) x 380 (H) x 132 mm (D)

Protected design.

**Warranty:** 2 years

#### ▲ ABOUT THE PRODUCT

- An ergonomic and flexible product that is easy to move and easy to install.
- Attractive and elegant on all sides, and thus able to be placed in the centre of the room.
- Perfect for large, heavy displays and touch-sensitive displays, due to the very stable, patented design.
- The pre-factory assembly means that installation is easy and quick.
- Motorized up and down travel allows you to work ergonomically.



#### ▲ SIMPLE ORDERING

##### ART. NO.

C5-31U002-2-C-0 SMS Presence Mobil VC Motor EU

C5-31U002-2-D-0 SMS Presence Mobil VC Motor US

C5-31U002-2-E-0 SMS Presence Mobil VC Motor UK

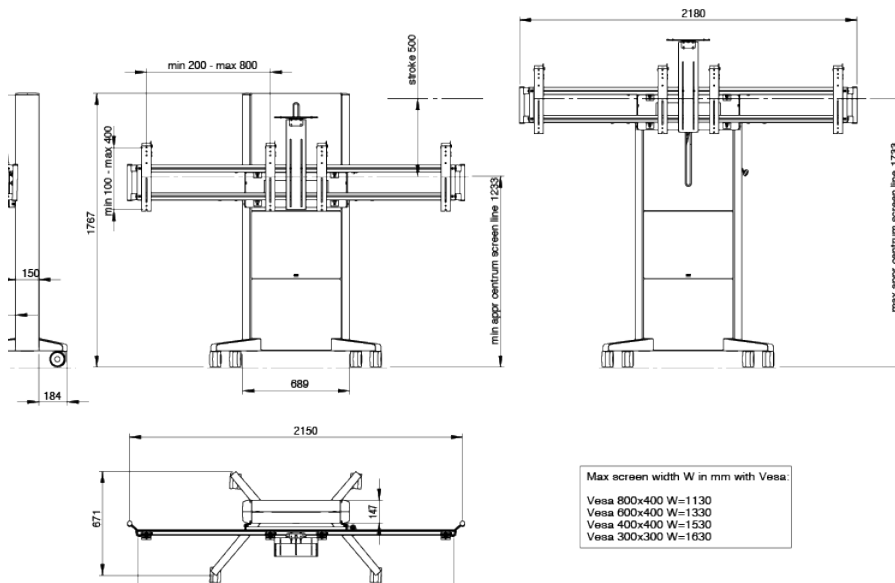
C5-31U002-2-F-0 SMS Presence Mobil VC Motor AUS

Choose the article number with the correct ending for your market.

*EU in the article number shows that the product is delivered with an EU wall plug etc*

## ▲ TECHNICAL DRAWING (MM)

C5-31U002-2-C..D..E..F-0 PRESENCE VIDEO CONFERENCE MOTORIZED



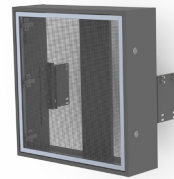
Max screen width W in mm with Vesa:  
 Vesa 800x400 W=1130  
 Vesa 600x400 W=1330  
 Vesa 400x400 W=1530  
 Vesa 300x300 W=1630

## ▲ MOTORIZED HEIGHT ADJUSTMENT



Motorized height adjustment works with both 110 and 220 V (all markets) and allows you to work ergonomically.

## ▲ ACCESSORIES



PR100001 SMS Presence Camera Shelf  
 PR400001 SMS Presence Media Box Glass  
 PR400003 SMS Presence Media Box Perforated Door  
 C5-21U005-2-A SMS Presence Tower Box Glass (Mobile)  
 C5-21U006-2-A SMS Presence Tower Box Perforated Door (Mobile)  
 PR210200 SMS Presence Display Holder Portrait

For a complete list of accessories, see [www.smartmediasolutions.se](http://www.smartmediasolutions.se)