



\* All images in this datasheet are for illustrative purposes only.

## UHD Signage UM5N-H

# UHD Signage Display with LG webOS Platform and Advanced Security



Super High Resolution



webOS Smart Platform



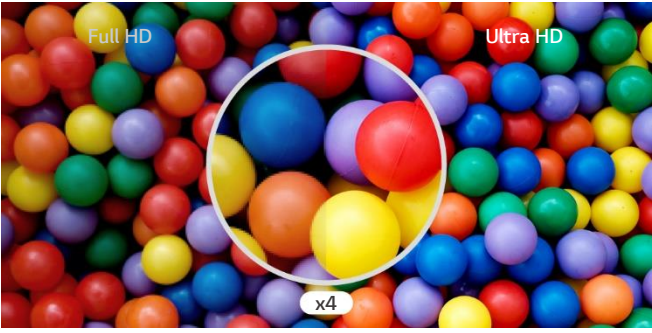
Design for Space Utilization



Enhanced Security

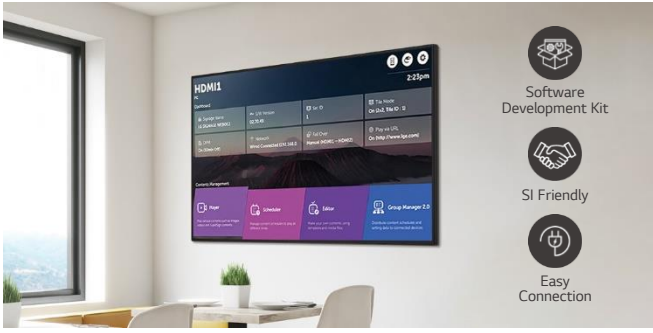
### UM5N-H

Screen Size	65" / 55" / 49" / 43"
Screen Resolution	3,840 × 2,160 (UHD)
Brightness	500 nit (Typ.)
Surface Treatment (Haze)	65" / 55" / 49" : 28% 43" : 25%
Bezel Width	65" : 12.4 mm (T/R/L/B) 55" / 49" : 12.4 mm (T/B), 11.4 mm (R/L) 43" : 12.1 mm (T/B), 11.1 mm (R/L)



### High Resolution Display

It offers a resolution that is four times higher than FHD, satisfying customers visually. Additionally, the anti-glare coating on the screen reduces screen reflection in bright lighting environments, increasing visibility and legibility, providing customers with a comfortable screen.



### Convenient webOS Platform

The UM5N-H is equipped with a high-performance SoC that allows for multiple tasks to be performed without a separate media player. The webOS platform provides app development tools with an intuitive UI that enhances user convenience, enabling easy connection with external sensors and webOS partner apps to create an SI-friendly environment.



### Durability that Provides Reliability

Optimized for business environments, the UM5N-H is protected against salt, dust, iron powder and humidity thanks to conformal coating on power board, allowing for stable operation. Also, its customer-centric features, such as IP5x, 30-degree tilting and Shock Monitoring, provide both reliability and satisfaction.



### Design for Space Utilization

Designed with thin bezels and simple cable management, the UM5N-H saves space. With specialized hidden power inlets, it can be installed close to the wall, leaving only about 13 mm of space with the slim bracket.

\* The product image will differ slightly from the actual appearance of the product due to the variance caused by each inch option.



### Enhanced Security Features

The UM5N-H provides security features, including LG's Enhanced Kernel Protection (EKP) technology, protecting important data from external access or attacks. LG UHD Signage also holds reliable certification in the field of information security, maintaining customers' data and businesses securely. For example, this model is ISO/IEC 15408 Common Criteria EAL2 Certified.



### Sustainability

With a commitment to innovation and sustainability, LG is continuously striving to create a better future for manufacturers, consumers, and future generations. With a focus on minimizing waste, maximizing recycling, and efficient power management, LG actively strives for sustainability, obtaining various certifications such as FCC EMC Class B.



### SuperSign Solutions

SuperSign is an integrated and intuitive content management solution for creative and organized digital signage content in your space, connecting customers to a range of services with convenient user experiences. There are a variety of versions such as SuperSign Cloud, so discover and enjoy the version that best fits you.

## CONNECTIVITY

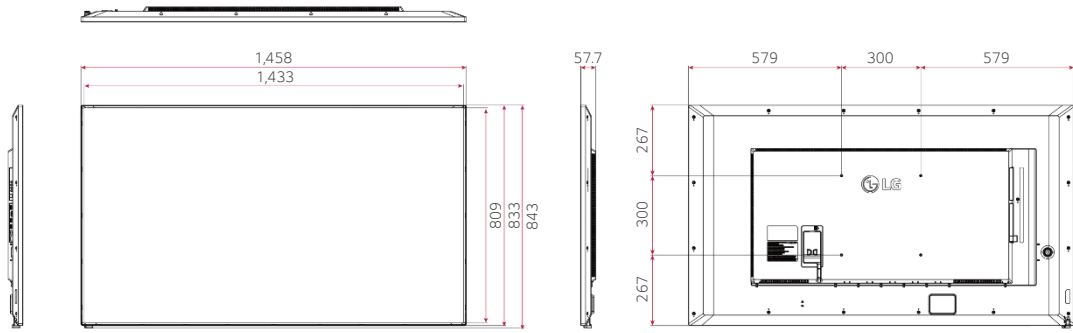
65" / 55" / 49" / 43"



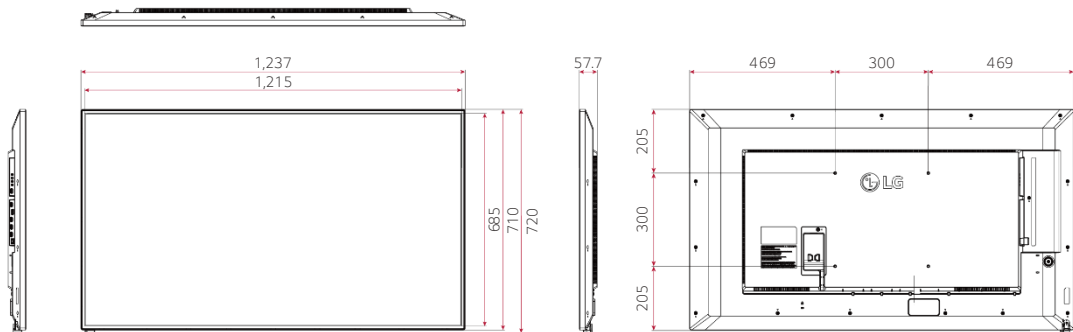
- ① LAN IN
- ④ HDMI IN 3
- ⑦ USB 2.0 IN
- ⑩ IR&LIGHT SENSOR
- ② HDMI IN 1
- ⑤ DP IN
- ⑧ RS-232C IN
- ⑪ AUDIO OUT
- ③ HDMI IN 2
- ⑥ HDMI OUT
- ⑨ RS-232C OUT

DIMENSION (unit: mm)

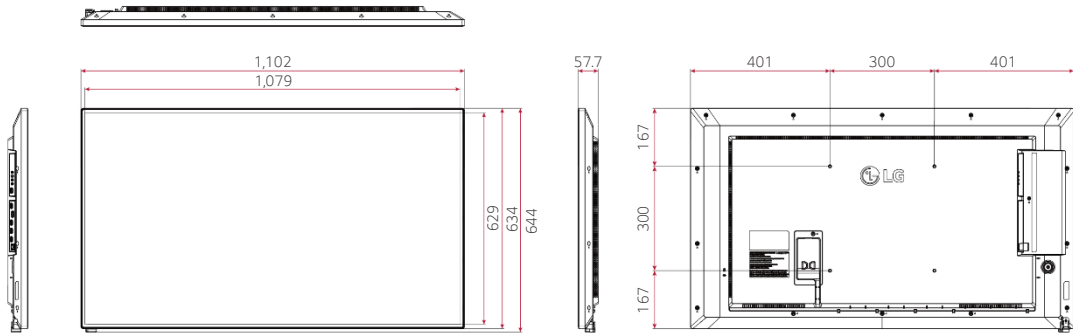
65"



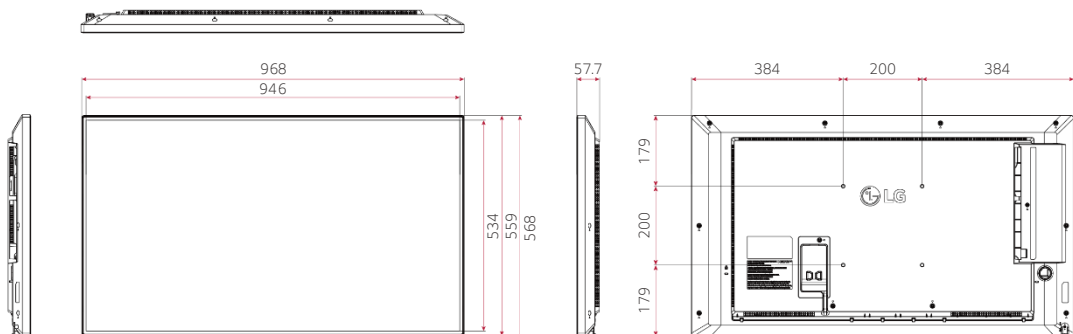
55"



49"



43"



	65UM5N-H	55UM5N-H	49UM5N-H	43UM5N-H	
Panel	Screen Size	65"	55"	49"	43"
	Panel Technology	IPS	IPS	IPS	IPS
	Back Light Type	Direct	Direct	Direct	Direct
	Aspect Ratio	16 : 9	16 : 9	16 : 9	16 : 9
	Native Resolution	3,840 x 2,160 (UHD)	3,840 x 2,160 (UHD)	3,840 x 2,160 (UHD)	3,840 x 2,160 (UHD)
	Refresh Rate	60 Hz	60 Hz	60 Hz	60 Hz
	Brightness	500 nit (Typ.)	500 nit (Typ.)	500 nit (Typ.)	500 nit (Typ.)
	Contrast Ratio	1,000 : 1	1,100 : 1	1,100 : 1	1,000 : 1
	Dynamic CR <sup>1)</sup>	1,000,000 : 1	1,000,000 : 1	1,000,000 : 1	1,000,000 : 1
	Color Gamut	BT709 95%	BT709 95%	BT709 95%	BT709 95%
	Viewing Angle (H x V)	178 x 178	178 x 178	178 x 178	178 x 178
	Color Depth	1.07 Billion Colors (10 bit (D))	1.07 Billion Colors (10 bit (D))	1.07 Billion Colors (10 bit (D))	1.07 Billion Colors (8 bits + FRC)
	Response Time	8 ms (T/R), 10 ms (T/F)	8 ms (T/R), 10 ms (T/F)	8 ms (T/R), 10 ms (T/F)	8 ms (T/R), 10 ms (T/F)
	Surface Treatment (Haze)	28%	28%	28%	25%
	Lifetime	50,000 Hrs (Min.)	50,000 Hrs (Min.)	50,000 Hrs (Min.)	50,000 Hrs (Min.)
Operation Hours (Hours/Day)	24 / 7	24 / 7	24 / 7	24 / 7	
Portrait / Landscape	Yes / Yes	Yes / Yes	Yes / Yes	Yes / Yes	
Connectivity	Input	HDMI In (3, 3,840 x 2,160 @ 60 Hz, HDCP 2.2/1.4), DP In (3,840 x 2,160 @ 60 Hz, HDCP 2.2/1.3), RS-232C In (4 Pin Phone-jack), RJ45 (LAN) In, IR In, USB In 2.0 (Type A)			
	Output	HDMI Out (3,840 x 2,160 @ 30 Hz, Input (HDMI1/2/3/DP)), Audio Out, RS-232C Out (4 Pin Phone-jack), Daisy Chain (Input HDMI, DP / Output HDMI)			
Mechanical Specification	Bezel Color	Black	Black	Black	Black
	Bezel Width	12.4 mm (T/R/L/B) (Even)	12.4 mm (T/B), 11.4 mm (R/L)	12.4 mm (T/B), 11.4 mm (R/L)	12.1 mm (T/B), 11.1 mm (R/L)
	Weight (Head)	26.1 kg	14.2 kg	11.4 kg	9.0 kg
	Packed Weight	28.4 kg	18.9 kg	14.4 kg	11.3 kg
	Monitor Dimensions (W x H x D)	1,458 x 833 x 57.7 mm (Without IR)	1,237 x 710 x 57.7 mm (Without IR)	1,102 x 634 x 57.7 mm (Without IR)	968 x 559 x 57.7 mm (Without IR)
	Carton Dimensions (W x H x D)	1,600 x 970 x 179 mm	1,360 x 810 x 162 mm	1,215 x 736 x 152 mm	1,055 x 660 x 142 mm
	Handle	No	No	No	No
VESA™ Standard Mount Interface	300 x 300 mm	300 x 300 mm	300 x 300 mm	200 x 200 mm	
Key Feature	Internal Memory 16 GB, Built-in Wi-Fi, Sensor (Temperature Sensor, Auto Brightness Sensor (External IR), Acceleration (Gyro) Sensor), Local Key Operation, Built-in Speaker, webOS 6.0, Local Contents Scheduling, Group Manager, USB Plug & Play, Fail Over, Image (Booting Logo Image, No Signal Image), Sync (RS-232C Sync, Local Network Sync), PIP, PBP (4), Screen Share, Video Tag (4), Play via URL, Rotation (Screen Rotation, External Input Rotation), Gapless Playback, Tile Mode Setting (Max. 15 x 15), Setting Data Cloning, SNMP, ISM Method, Auto Set ID, Status Mailing, Control Manager, 3rd Party Compatibility (Cisco Certi, Crestron Connected <sup>®2)</sup> ), Smart Energy Saving, PM Mode, Wake on LAN, Network Ready, Beacon, HDMI-CEC <sup>3)</sup> , SI Server Setting, webRTC, Prodiom				
Environment Conditions	Operation Temperature	0°C to 40°C	0°C to 40°C	0°C to 40°C	0°C to 40°C
	Operation Humidity	10% to 80%	10% to 80%	10% to 80%	10% to 80%
Power	Power Supply	AC 100-240 V ~, 50/60 Hz	AC 100-240 V ~, 50/60 Hz	AC 100-240 V ~, 50/60 Hz	AC 100-240 V ~, 50/60 Hz
	Power Type	Built-in Power	Built-in Power	Built-in Power	Built-in Power
Power Consumption	Typ. / Max.	145 W / 200 W	130 W / 180 W	120 W / 160 W	100 W / 140 W
	BTU (British Thermal Unit)	495 BTU/Hr (Typ.), 682 BTU/Hr (Max.)	444 BTU/Hr (Typ.), 614 BTU/Hr (Max.)	409 BTU/Hr (Typ.), 546 BTU/Hr (Max.)	341 BTU/Hr (Typ.), 478 BTU/Hr (Max.)
	Smart Energy Saving, ~70%	101.5 W	91 W	84 W	70 W
	DPM	0.5 W	0.5 W	0.5 W	0.5 W
	Power off	0.5 W	0.5 W	0.5 W	0.5 W
Certification	Safety	CB / NRTL	CB / NRTL	CB / NRTL	CB / NRTL
	EMC	FCC Class "B" / CE / KC	FCC Class "B" / CE / KC	FCC Class "B" / CE / KC	FCC Class "B" / CE / KC
	ErP / Energy Star	Yes (NewErP) / Yes	Yes (NewErP) / Yes	Yes (NewErP) / Yes	Yes (NewErP) / Yes
	ePEAT (US only)	No	No	No	No
	ISTA6	Yes (-'23.9, US Suffix Only)	Yes (-'23.9, US Suffix Only)	Yes (-'23.9, US Suffix Only)	Yes (-'23.9, US Suffix Only)
Carbon Trust	Yes (CO2 Measured)	Yes (CO2 Measured)	Yes (CO2 Measured)	Yes (CO2 Measured)	
OPS Compatibility	OPS Type Compatible	No	No	No	No
	OPS Power Built-in	No	No	No	No
Software Compatibility	SuperSign CMS, SuperSign Control / Control+, SuperSign WB, SuperSign Cloud, Promota (Not Available for EU/CIS), Mobile CMS, LG ConnectedCare <sup>4)</sup>				
Language	English, French, German, Spanish, Italian, Korean, Chinese (Simplified), Chinese (Original), Portugues (Brazil), Swedish, Finnish, Norwegian, Danish, Russian, Japanese, Portugues (Europe), Dutch, Czech, Greek, Türkiye, Arabic				
Accessory	Basic	Remote Controller, Power Cord, QSG, Regulation Book, Phone to RS-232C Gender			
	Optional	Slim Wall Mount (WB21LM A/B), Normal Wall Mount (OLW480 A/B), Wall Mount Adapter (AM-B330S)	Slim Wall Mount (WB21LM A/B), Normal Wall Mount (OLW480 A/B), Wall Mount Adapter (AM-B330S)	Slim Wall Mount (WB21LM A/B), Normal Wall Mount (OLW480 A/B), Wall Mount Adapter (AM-B330S)	Slim Wall Mount (WB21LM A/B), Normal Wall Mount (LSW240 A/B), Wall Mount Adapter (AM-B220S)
Special Feature	Tilt (Face Down)	Yes (Max. 30° Degree, 40°C Temperature)			
	IP Rating	IP5X	IP5X	IP5X	IP5X
	Conformal Coating (Power Board)	Yes	Yes	Yes	Yes

<sup>1)</sup> The luminosity ratio of Full Black / Full White color on video input condition.

<sup>2)</sup> Network based control.

<sup>3)</sup> Compatibility may differ by equipment.

<sup>4)</sup> The availability can differ by region.

\* Specifications are subject to change without notice. Please make sure to check the product manual for details about product usage.



Download  
LG C-Display+  
Mobile App  
Google Play Store

www.lg.com/global/business/information-display  
www.youtube.com/c/LGCommercialDisplay  
www.facebook.com/LGInformationDisplay  
www.linkedin.com/company/LGinformationdisplay  
twitter.com/LG\_ID\_HQ

LG may make changes to specifications and product descriptions without notice. Copyright © 2023 LG Electronics Inc. All rights reserved. "LG Life's Good" is a registered trademark of LG Corp. The names of products and brands mentioned here may be the trademarks of their respective owners.

