



T4x Wireless Remote Control

Reference Guide



Product Contents

Contents within the box include the following items:

- One (1) T4x Remote Control
- One (1) Docking Station
- One (1) International Power Supply Kit (5V, 2A)
- One (1) Reference Guide
- One (1) Firmware Update Notification

Safety Suggestions

Read and Follow Instructions. Read all safety and operating instructions before operating the unit.

Retain Instructions. Keep the safety and operating instructions for future reference.

Heed Warnings. Adhere to all warnings on the unit and in the operating instructions.

Heat. Keep the unit away from heat sources such as radiators, heat registers, stoves, etc., including amplifiers that produce heat.

Power Sources. Use only batteries of the type described in the operating instructions, or as marked on the unit.

Water and Moisture. Do not use the unit near water—for example, near a sink, in a wet basement, near a swimming pool, near an open window, etc.

Object and Liquid Entry. Do not allow objects to fall or liquids to be spilled into the enclosure through openings.

Servicing. Do not attempt any service beyond that described in the operating instructions. Refer all other service needs to qualified service personnel.

Damage Requiring Service. The unit should be serviced by qualified service personnel when:

- Objects have fallen or liquid has been spilled into the unit.
- The unit has been exposed to rain.
- The unit does not appear to operate normally or exhibits a marked change in performance.
- The unit has been dropped or the enclosure has been damaged.

Cleaning

To clean your T4x, lightly dampen a lint-free cloth with plain water or a mild detergent and wipe the touchscreen, keypad and outer surfaces.

NOTE: Do not use harsh chemicals as damage to the unit may occur.

Limited Warranty

RTI warrants its products for a period of three (3) years (one year only for included battery packs); or for a period of time compliant with local laws when applicable from the date of purchase from RTI or an authorized RTI distributor.

This warranty may be enforced by the original purchaser and subsequent owners during the warranty period, so long as the original dated sales receipt or other proof of warranty coverage is presented when warranty service is required.

Except as specified below, this warranty covers all defects in material and workmanship in this product. The following are not covered by the warranty:

Damage resulting from:

1. Accident, misuse, abuse, or neglect.
2. Failure to follow instructions contained in this Guide.
3. Repair or attempted repair by anyone other than Remote Technologies Incorporated.
4. Failure to perform recommended periodic maintenance.
5. Causes other than product defects, including lack of skill, competence or experience of user.
6. Shipment of this product (claims must be made to the carrier).
7. Being altered or which the serial number has been defaced, modified or removed.

Contacting RTI

For news about the latest updates, new product information, and new accessories, please visit our web site at: www.rticorp.com
For general information, you can contact RTI at:

Remote Technologies Incorporated
5775 12th Avenue East, Suite 180
Shakopee, MN 55379
Tel. (952) 253-3100
Fax (952) 253-3131

Service & Support

If you are encountering any problems or have a question about your RTI product, please contact RTI Technical Support for assistance (see the Contacting RTI section of this guide for contact details).

RTI provides technical support by telephone or e-mail. For the highest quality service, please have the following information ready, or provide it in your e-mail.

- Your Name
- Company Name
- Telephone Number
- E-mail Address
- Product model and serial number (if applicable)

If you are having a problem with hardware, please note the equipment in your system, a description of the problem, and any troubleshooting you have already tried.

If you are having a problem with software, please note what version you have installed, the operating system on your PC, a description of the problem, and any troubleshooting you have already tried. If you are calling about a software or programming question or problem, please be at your computer when you place your call. This will considerably speed up the troubleshooting process.

Please do not return products to RTI without return authorization.

Federal Communications Commission Notice

This equipment has been tested and found to comply with the limits for a Class B digital device, pursuant to Part 15 of the FCC Rules. These limits are designed to provide reasonable protection against harmful interference in a residential installation. Any changes or modifications not expressly approved by the party responsible for compliance could void the user's authority to operate the device.

This equipment generates, uses, and can radiate radio frequency energy and, if not installed and used in accordance with the instructions, may cause harmful interference to radio communications. However, there is no guarantee that interference will not occur in a particular installation.

If this equipment does cause harmful interference to radio or television reception, which can be determined by turning the equipment off and on, the user is encouraged to try to correct the interference by one or more of the following measures:

- Reorient or relocate the receiving antenna.
- Increase the separation between the equipment and the receiver.
- Connect the equipment into an outlet on a circuit different from that to which the receiver is connected.
- Consult the dealer or an experienced radio/TV technician for help.

This device complies with Part 15 of the FCC Rules. Operation is subject to the following two conditions:

1. This device may not cause harmful interference.
2. This device must accept any interference received including interference that may cause undesired operation.

Industry Canada Compliance Statement

This device complies with Industry Canada license-exempt RSS standard(s). Operation is subject to the following two conditions:

1. This device may not cause harmful interference.
2. This device must accept any interference received including interference that may cause undesired operation.

Cet appareil est conforme avec Industrie Canada exempts de licence standard RSS (s). Son fonctionnement est soumis aux deux conditions suivantes:

1. Ce dispositif ne peut causer des interférences nuisibles.
2. Cet appareil doit accepter toute interférence reçue y compris des interférences qui peuvent provoquer un fonctionnement indésirable.



Contains:
FCC ID: MMURTI2300, IC:3166A-RTI2300
FCC ID: MMURTI2100, IC:3166A-RTI2100

DECLARATION OF CONFORMITY (DOC)

The Declaration of Conformity for this product can be found on the RTI website at: www.rticorp.com/declaration

The T4x is precision engineered with a large high-resolution capacitive touchscreen, the essential hard buttons, and a completely customizable interface. The user will enjoy simple, intuitive control and superb ergonomics. Perfectly suited for the smart home or office, the T4x sets the standard in wireless control with advanced features including grip sensors, WiFi, dual RF, and more.

Key Features

The T4x comes loaded with the following features and much more:

- Dual RF capability uses 433MHz and 2.4GHz (utilizing Zigbee® technology).
- Integrated wireless Ethernet for album art, wireless updating and more.
- Flush-mount, 4.0" high-resolution capacitive LCD touchscreen (480x800).
- Integrated grip sensors, accelerometer and ambient light sensor.
- Twenty assignable/programmable keypad buttons.
- Cursor button allows simple scrolling list navigation.

Powering On/Off the T4x

TO POWER THE T4x ON:

- Press and hold the "Backlight" button and the "OK" buttons simultaneously until the T4x powers on (Approximately 1-2 seconds).

OR

- Place the T4x in the docking station - this will automatically power the unit on. (Docking station does not need to be powered).

NOTE: If the unit does not power on, it may be necessary to charge the battery. See charging information below.

TO POWER THE T4x OFF:

- Press and hold the "Backlight" button, then press the "OK" button for approximately 5 seconds until the T4x powers off.

NOTE: During normal operation, powering the T4x off should not be necessary.

Charging the T4x Battery

WHEN TO CHARGE THE T4x:

The T4x uses a Lithium-ion rechargeable battery which will not exhibit a memory effect from being charged too often, therefore the remote control may be placed into the dock when not in use.

- A low battery icon will illuminate at the top right of the T4x (above the display) when the battery capacity becomes low and a charge cycle is required.

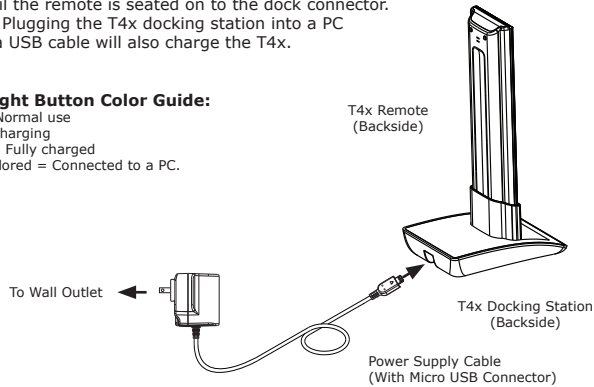
CHARGING THE T4x:

- Locate and install the appropriate wall outlet plug on to the power supply.
- Insert the micro USB end of the power supply cable into the USB port located on the backside of the docking station.
- Plug the power supply cable into a wall outlet.
- Gently slide the T4x into the docking station clear plastic alignment sleeve until the remote is seated on to the dock connector.

NOTE: Plugging the T4x docking station into a PC using a USB cable will also charge the T4x.

Backlight Button Color Guide:

- Blue = Normal use
- Red = Charging
- Green = Fully charged
- Multi-colored = Connected to a PC.



Replacing the T4x Battery

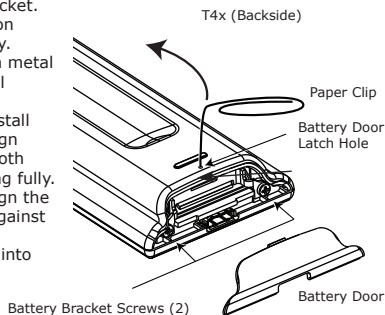
The following steps for removing the battery door should be performed by an authorized service center or trained installer only.

REMOVE THE BATTERY DOOR:

- Gently insert a small paper clip into the battery door latch hole until it stops (see diagram).
- Tilt the paper clip toward the top of the T4x to release the battery door latch.

REPLACE BATTERY:

- Remove two (2) battery bracket screws (Phillips head) and remove bracket.
- Slide battery out of T4x - pull on plastic tab connected to battery.
- Slide new battery into T4x with metal contacts inserted first and label facing up.
- Replace battery bracket and install two (2) screws - in order to align battery bracket properly, get both screws started before tightening fully.
- Reinstall battery door - first align the wide end of the battery door against the battery door opening, then push the latch end of the door into the T4x until it snaps in place.



Programming the T4x

THE TOUCHSCREEN DISPLAY AND HARD BUTTONS

The T4x touchscreen display and buttons are programmed using the RTI Integration Designer® programming software. (Integration Designer software available to authorized RTI dealers only).

FIRMWARE AND SOFTWARE UPDATES

Please verify that you have the most recent firmware and software installed for this and all RTI products. Authorized RTI dealers can download the latest firmware and Integration Designer from the dealer section of www.rticorp.com.

INSTALLING FIRMWARE

- Turn off the T4x - Press and hold the "Backlight" button and the "OK" buttons simultaneously.
 - Connect the T4x dock to a PC using a USB cable (USB A to Micro B).
 - Press and hold the "Home" button.
 - Place the T4x into the docking station.
- Or**
- Connect the T4x to a PC directly using an RTI programming cable. (Contact your local distributor to purchase this cable. The programming cable is also included with the RTI IRPRO programming kit).
 - Download firmware file from the dealer section at www.rticorp.com.
 - Execute firmware file and follow instructions.

UPDATING INTEGRATION DESIGNER PROGRAMMING

RTI's Integration Designer data files can be downloaded to the T4x using the following methods:

- Connect the docking station to a PC using a USB cable (USB A to Micro B) and place the T4x into the docking station.

Or

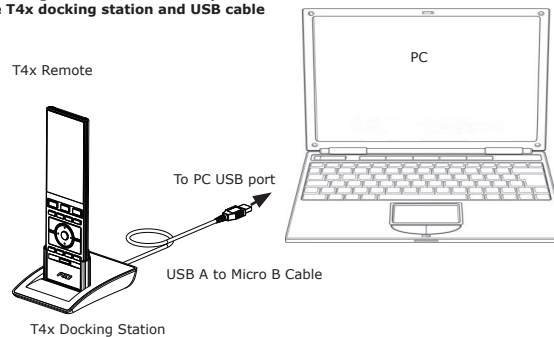
- Connect an RTI programming cable to the T4x and a PC. (Contact your local distributor to purchase this cable. The programming cable is also included with the RTI IRPRO programming kit).

Or

- Wirelessly via the local area Ethernet network (LAN). NOTE: Initial programming including network settings will need to take place using the docking station or the RTI programming cable.

In the Integration Designer program file, click on the Communications menu option and select Send to Device. Another window showing the RTI devices in that data file will appear. Click the Send button next to the T4x.

Downloading software/firmware updates via the T4x docking station and USB cable



The T4x Control Panel

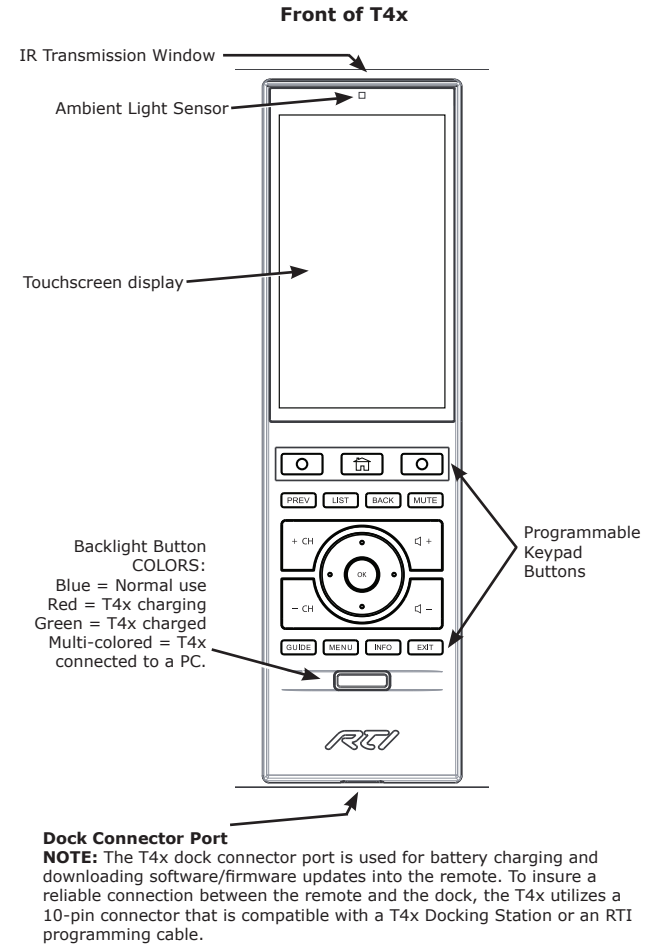
The control panel on the T4x allows many settings to be adjusted directly on the remote control. Please note: Settings adjusted via the T4x control panel will be overwritten by the remote settings in Integration Designer after a programming update takes place.

ACCESSING THE CONTROL PANEL

The Control Panel page can be displayed by holding down the "Backlight" button until the page is displayed (approx. 5 seconds).

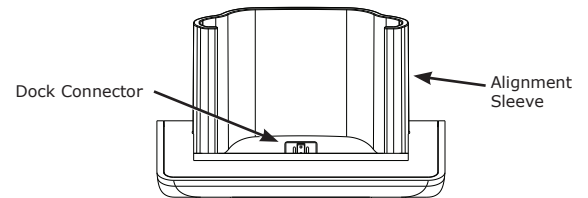
ADJUSTABLE SETTINGS

- Backlight Level • Time Out • Tilt Switch • Grip Sensor • Battery • Sound
- Calibrate Touchscreen • Network Information



Dock Connector Port

NOTE: The T4x dock connector port is used for battery charging and downloading software/firmware updates into the remote. To insure a reliable connection between the remote and the dock, the T4x utilizes a 10-pin connector that is compatible with a T4x Docking Station or an RTI programming cable.



THE T4x DOCKING STATION

Dock Connector: A 10-pin dock connector is used to insure a reliable connection between the remote and the dock during battery charging and software/firmware downloads.

Micro USB Port: The T4x dock has a micro USB port (located on the backside) for connection of the AC power supply cable or a standard USB A to Micro B cable for connection to a PC.