
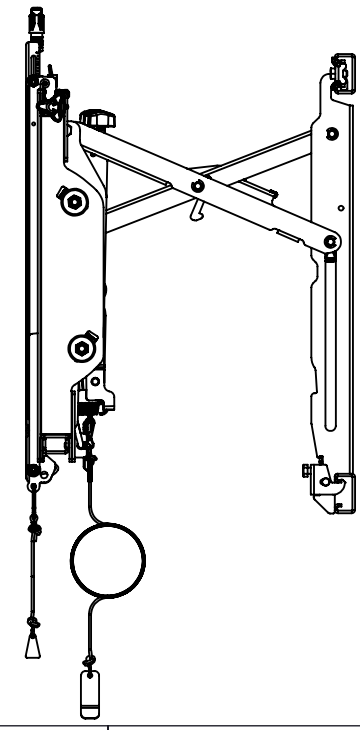
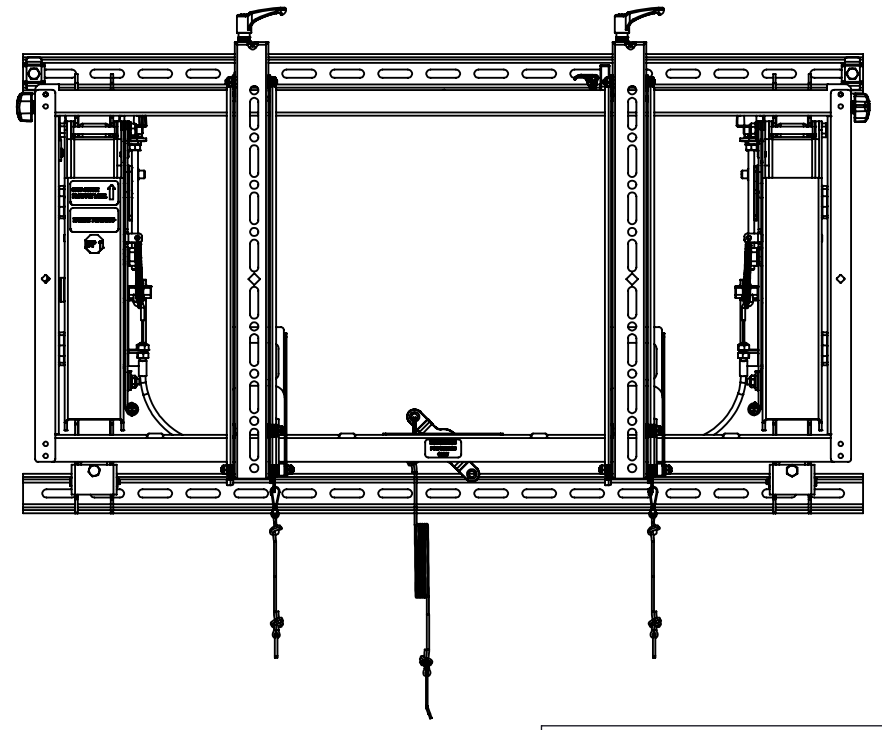
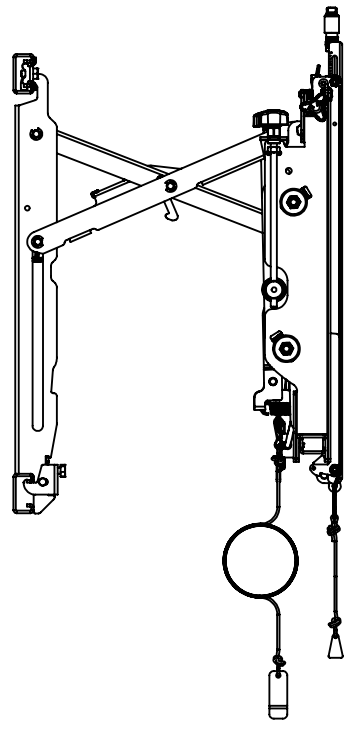
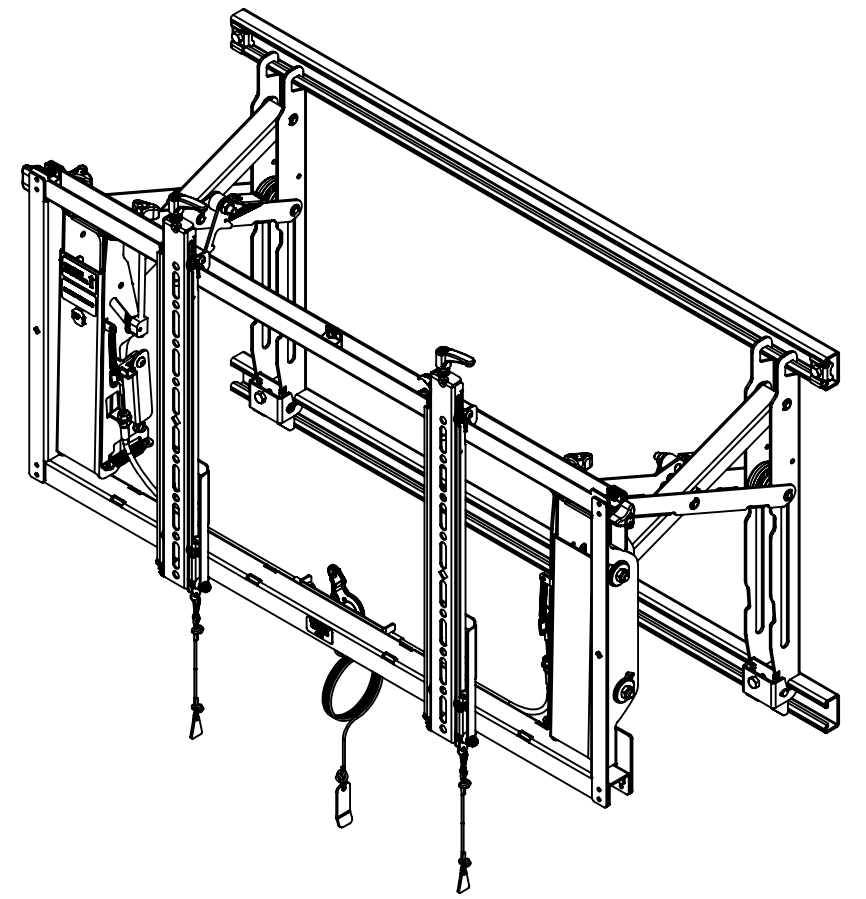
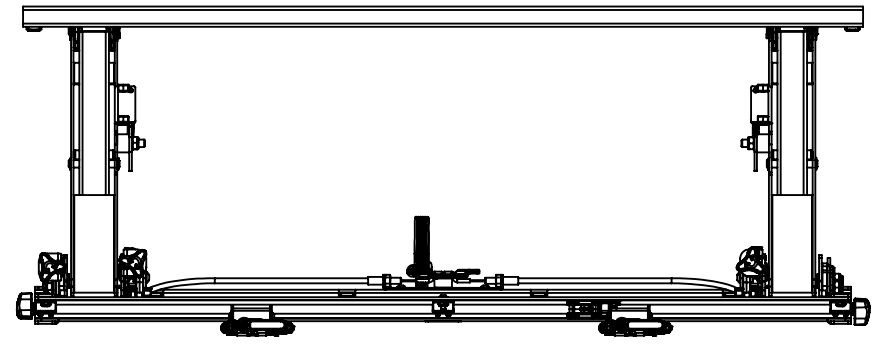
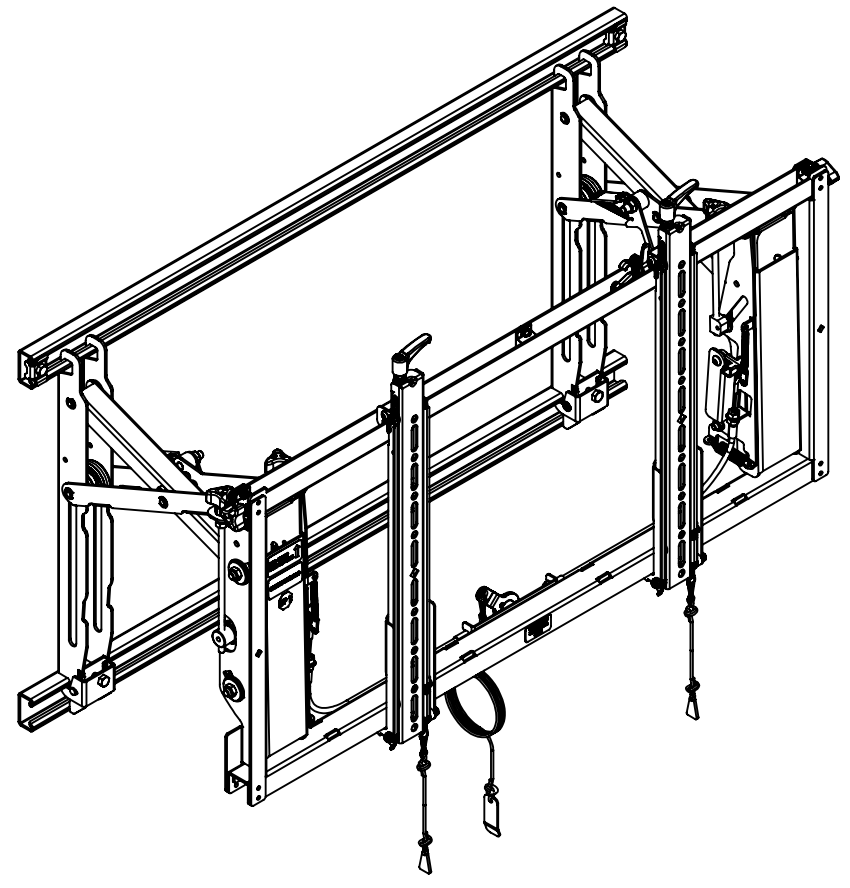



THE INFORMATION AND DESIGNS CONTAINED IN THIS DRAWING ARE CONFIDENTIAL AND THE PROPRIETARY PROPERTY OF MILESTONE AV TECHNOLOGIES NEITHER THIS DESIGN NOR ANY INFORMATION CONTAINED IN THIS DRAWING MAY BE REPRODUCED OR DISCLOSED TO OTHERS WITHOUT THE EXPRESS WRITTEN CONSENT OF MILESTONE AV TECHNOLOGIES.

CAD GENERATED DRAWING, DO NOT MANUALLY UPDATE.			 6436 CITY WEST PKWY EDEN PRAIRIE MN, 55344 PHONE: 866-977-3901 FAX: 877-894-6918		
DRAWN BY	MJS	12/2/2013	DESCRIPTION		
ENG APPROVAL	MJS	12/02/2013	LVS1U, VIDEO WALL MOUNT		
MFG APPROVAL			MODEL NO.		
QA APPROVAL			LVS1U		
SHEET 2 OF 3		SCALE	SIZE	DWG. NO.	REV.
		1:8	B	TECH-000510	01



THE INFORMATION AND DESIGNS CONTAINED IN THIS DRAWING ARE CONFIDENTIAL AND THE PROPRIETARY PROPERTY OF MILESTONE AV TECHNOLOGIES NEITHER THIS DESIGN NOR ANY INFORMATION CONTAINED IN THIS DRAWING MAY BE REPRODUCED OR DISCLOSED TO OTHERS WITHOUT THE EXPRESS WRITTEN CONSENT OF MILESTONE AV TECHNOLOGIES.

CAD GENERATED DRAWING, DO NOT MANUALLY UPDATE.			 6436 CITY WEST PKWY EDEN PRAIRIE MN, 55344 PHONE: 866-977-3901 FAX: 877-894-6918		
DRAWN BY	MJS	12/2/2013	DESCRIPTION		
ENG APPROVAL	MJS	12/02/2013	LVS1U, VIDEO WALL MOUNT		
MFG APPROVAL			MODEL NO.		
QA APPROVAL			LVS1U		
SHEET 3 OF 3		SCALE	SIZE	DWG. NO.	REV.
		1:8	B	TECH-000510	01