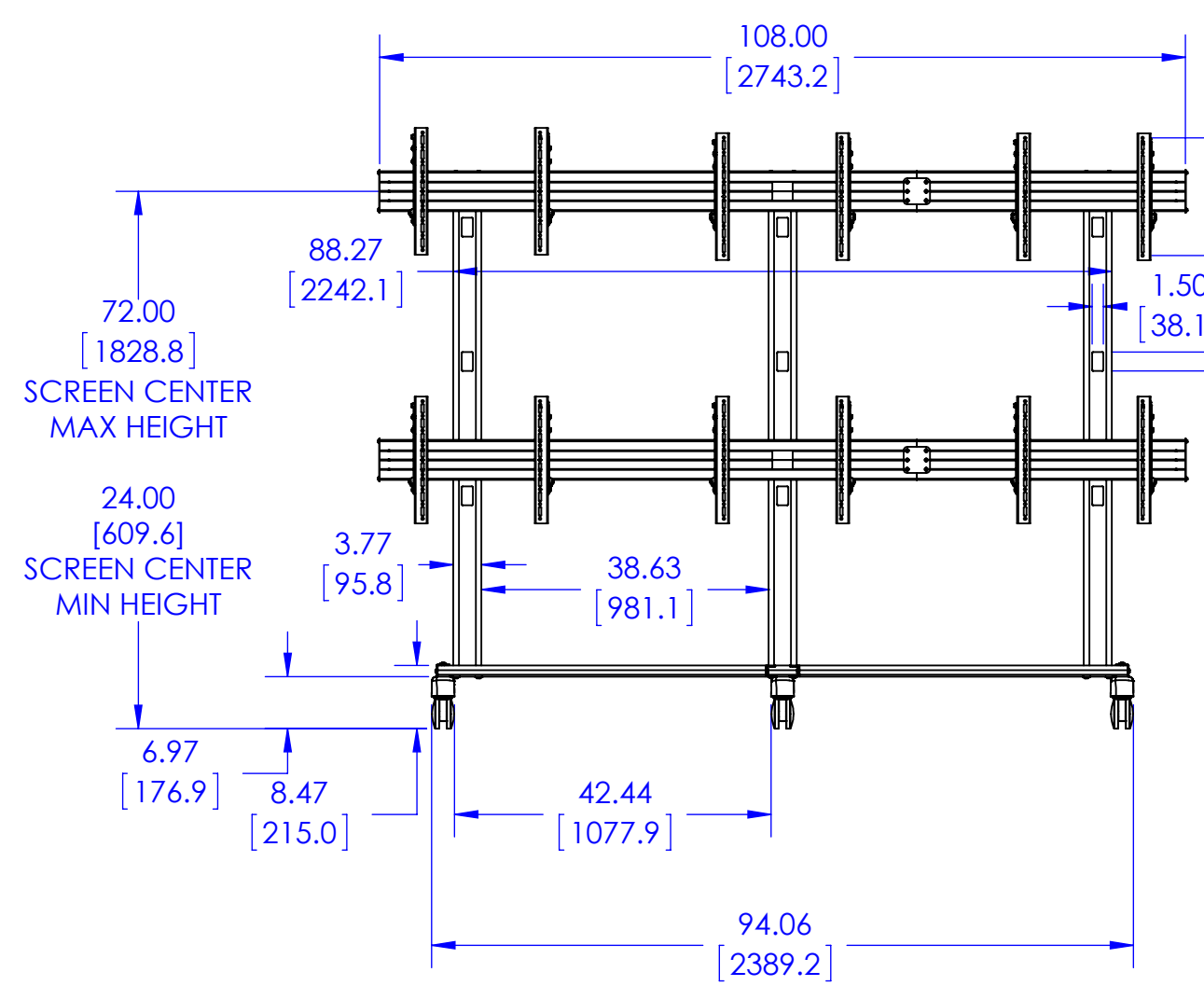
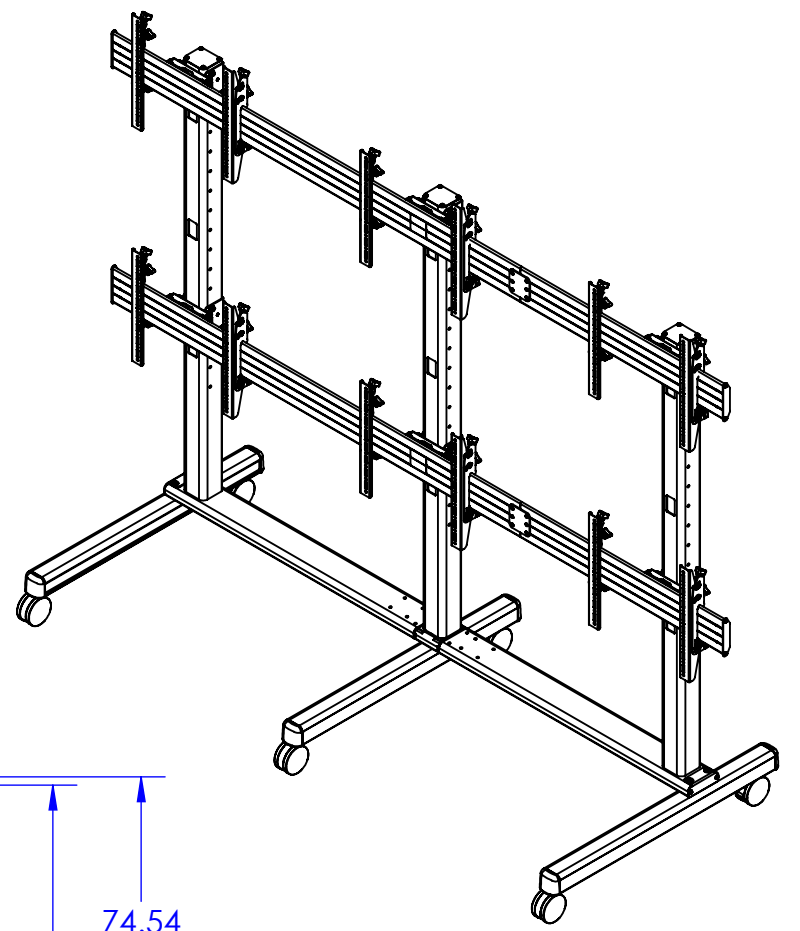
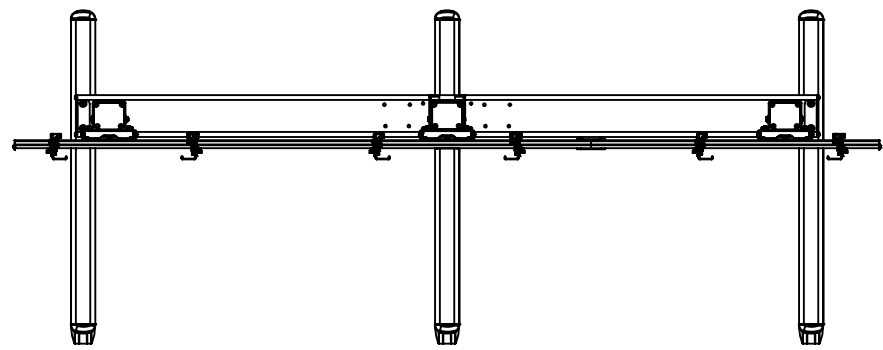
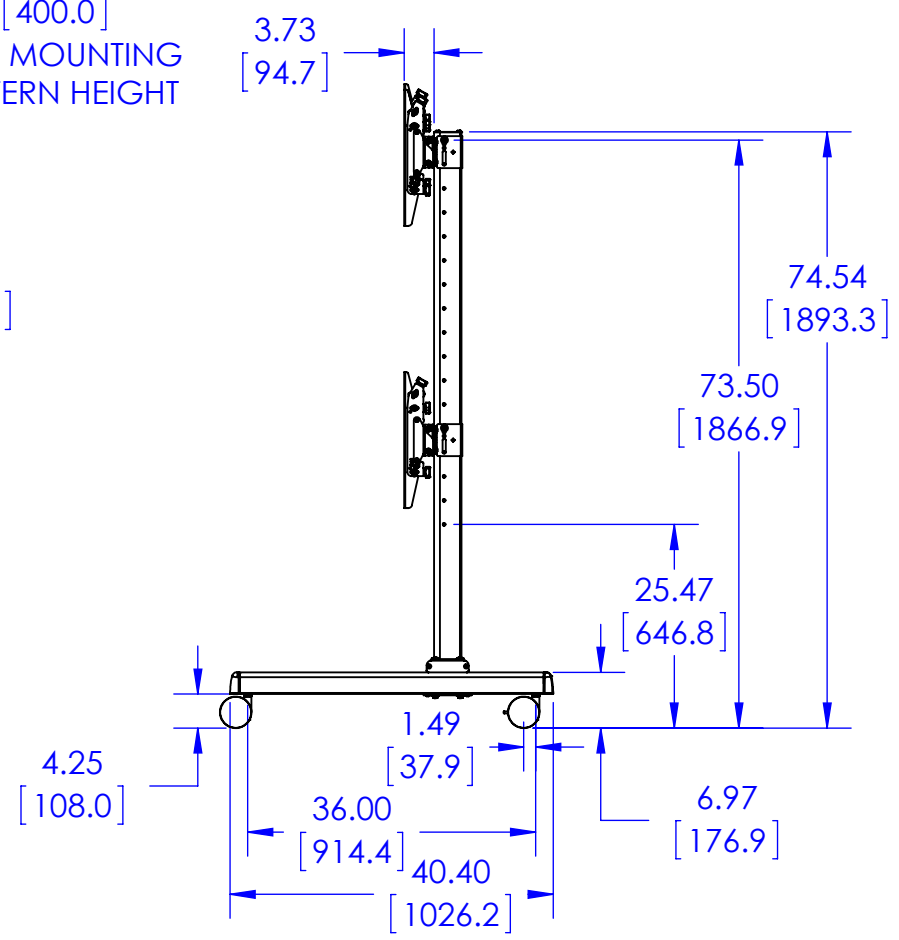


**MAX WEIGHT:
125 LBS PER DISPLAY
750 LBS TOTAL**



15.75 [400.0]
MAX MOUNTING
PATTERN HEIGHT

2.53 [64.1]



THE INFORMATION AND DESIGNS CONTAINED IN THIS DRAWING ARE CONFIDENTIAL AND THE PROPRIETARY PROPERTY OF MILESTONE AV TECHNOLOGIES NEITHER THIS DESIGN NOR ANY INFORMATION CONTAINED IN THIS DRAWING MAY BE REPRODUCED OR DISCLOSED TO OTHERS WITHOUT THE EXPRESS WRITTEN CONSENT OF MILESTONE AV TECHNOLOGIES.

CAD GENERATED DRAWING, DO NOT MANUALLY UPDATE.			6436 CITY WEST PKWY EDEN PRAIRIE MN, 55344 PHONE: 866-977-3901 FAX: 877-894-6918		
DRAWN BY	MJS	3/22/2012			
ENG APPROVAL	MJS	3/22/2012	DESCRIPTION LVM3X2U, FUSION 3X2 VIDEO WALL CART		
MFG APPROVAL					
QA APPROVAL			MODEL NO. LVM3X2U		
SHEET 1 OF 1		SCALE 1:24			SIZE B